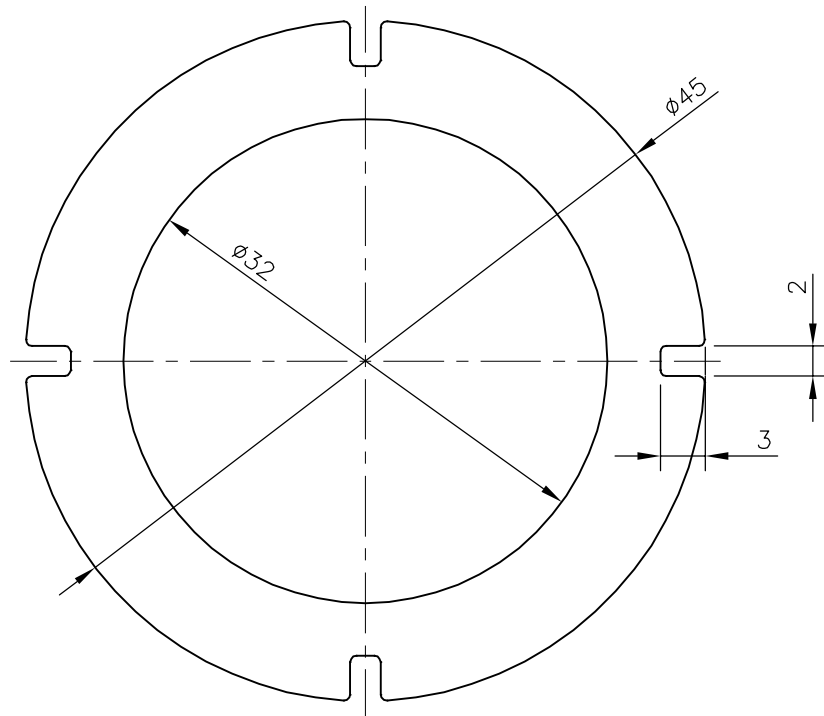
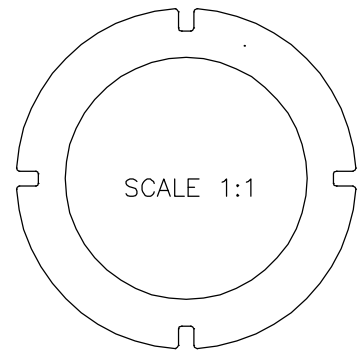


P-16421

S5187

15283



SYMBOL OF QUALITY  
AN ISO 9001 COMPANY

**JINDAL ALUMINIUM LTD.**  
BANGALORE-560073 (INDIA)

	NAME	DATE
DRAWN	KIRAN	01-10-2016
CHECKED		
APPROVED	B.NATARAJ	23-11-2016
SCALE		2:1
AREA	mm <sup>2</sup>	762.204
PERIMETER	mm.	162.262
WEIGHT	kg/m	2.058
DRAWING No.	SECTION No.	
P-16421		
S5187	S5187	
15283	15283	

1. ALL DIMENSIONS ARE IN mm.
2. ROUND OFF ALL SHARP CORNERS WITH 0.40 mm.
3. TOLERANCES WILL BE AS PER IS:6477-1983, UNLESS OTHERWISE SPECIFIED

PARTY'S NAME	SRI GURUMOORTHY ENGG. WORKS, KARUR
PARTY'S DRAWING No.	AS PER DRAWING
ALLOY & TEMPER	6063 T6
DESCRIPTION	MISC. TUBE