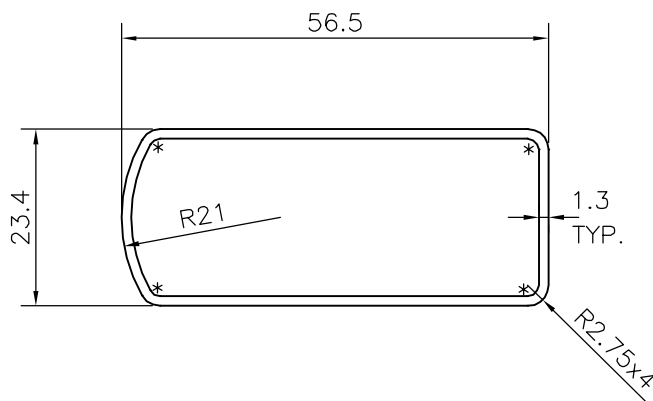



P-19223-1

15285



\* = 1.45 RADIUS (4 PLACES)

 SYMBOL OF QUALITY AN ISO 9001 COMPANY	<b>JINDAL ALUMINIUM LTD.</b> BANGALORE-560073 (INDIA)	DRAWN	J.P.KAUSHIK	04-03-2019
		CHECKED		
1. ALL DIMENSIONS ARE IN mm. 2. ROUND OFF ALL SHARP CORNERS WITH 0.40 mm. 3. TOLERANCES WILL BE AS PER IS:6477-1983 , UNLESS OTHERWISE SPECIFIED		APPROVED	B.NATARAJA	09-03-2019
		SCALE		1:1
PARTY'S NAME GENERAL CATEGORY, DELHI MARKET		AREA mm <sup>2</sup>		191.246
		PERIMETER mm.		151.197
PARTY'S DRAWING No. AS PER SAMPLE & REQUIREMENT		WEIGHT kg/m		0.516
		DRAWING No.		SECTION No.
ALLOY & TEMPER 6063 T6		P-19223-1		-
		15285		15285
DESCRIPTION MISC. TUBE				