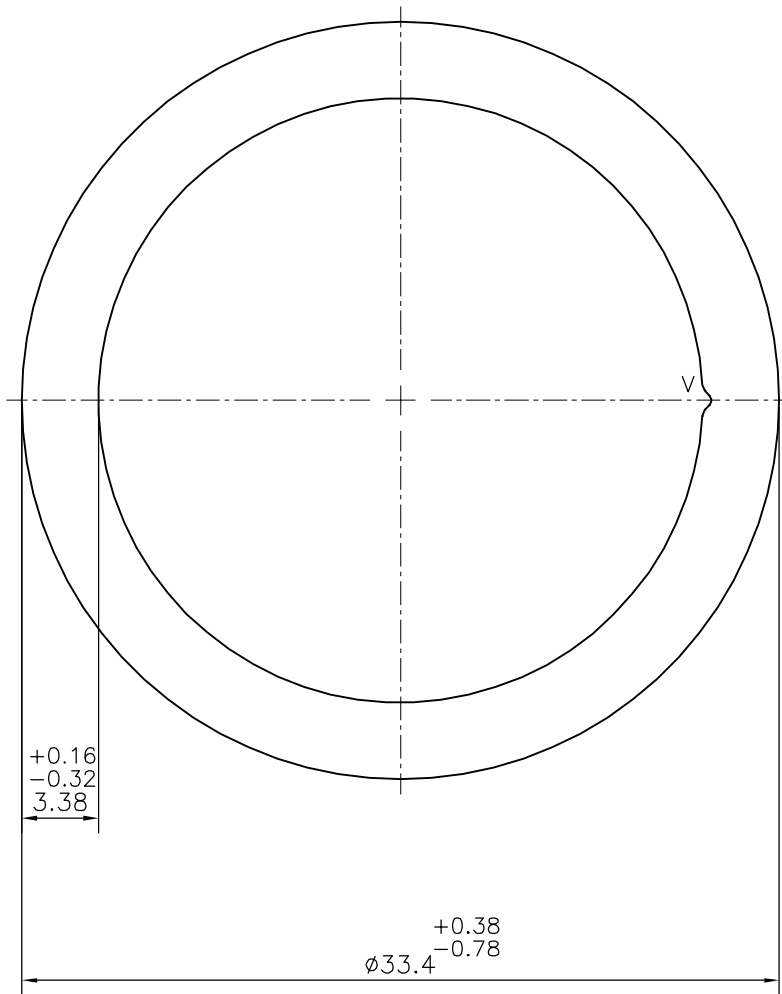
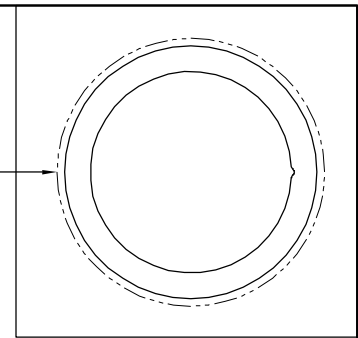


P-19521

15287

EXPOSED SURFACE



V = V GROOVE 0.4x90° (1 PLACE)



SYMBOL OF QUALITY
AN ISO 9001 COMPANY

JINDAL ALUMINIUM LTD.
BANGALORE-560073 (INDIA)

	NAME	DATE
DRAWN	J.P.KAUSHIK	08-05-2019
CHECKED		
APPROVED	B.NATARAJA	13-05-2019
SCALE		3:1
AREA mm ²		318.505
PERIMETER mm.		104.929
WEIGHT kg/m		0.860
DRAWING No.	SECTION No.	
P-19521	-	
15287	15287	

1. ALL DIMENSIONS ARE IN mm.
2. ROUND OFF ALL SHARP CORNERS WITH 0.40 mm.
3. TOLERANCES WILL BE AS PER ANSI:H35.2-2009, UNLESS OTHERWISE SPECIFIED

PARTY'S NAME	FLORIDA ALUMINIUM, USA
PARTY'S DRAWING No.	FH-06202
ALLOY & TEMPER	6063 T52
DESCRIPTION	ROUND TUBE-MISC.