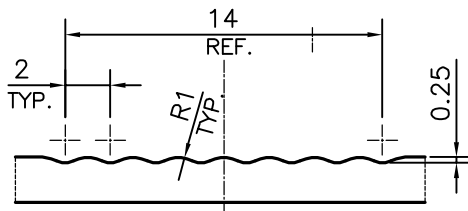
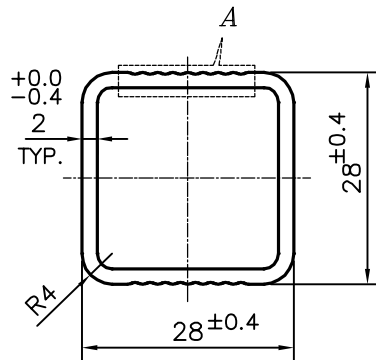


P-17331-1

S5449

15292



DETAIL OF "A"  
SCALE 3:1

TOLERANCES ON OVERALL WIDTHS & WIDTHS ACROSS FLATS OF BARS, & REGULAR SECTIONS

UPTO 6.40mm - ±0.20	UPTO 32.0mm - ±0.38	UPTO 120.0mm - ±0.85	1. STRAIGHTNESS=1.7mm/M 2. TWIST=1.7mm/M 3. ANGULARITY= ±2° 4. FLATNESS =0.007xWIDTH
UPTO 10.0mm - ±0.23	UPTO 50.0mm - ±0.46	UPTO 160.0mm - ±1.02	
UPTO 12.0mm - ±0.25	UPTO 60.0mm - ±0.53	UPTO 200.0mm - ±1.14	
UPTO 16.0mm - ±0.28	UPTO 80.0mm - ±0.69	UPTO 250.0mm - ±1.40	
UPTO 25.0mm - ±0.30	UPTO 100.0mm - ±0.75	UPTO 300.0mm - ±1.65	



SYMBOL OF QUALITY  
AN ISO 9001 COMPANY

**JINDAL ALUMINIUM LTD.**  
BANGALORE-560073 (INDIA)

	NAME	DATE
DRAWN	PARVESH	18-07-2017
CHECKED		
APPROVED	B.NATARAJA	24-07-2017
SCALE		1:1
AREA mm <sup>2</sup>		193.699
PERIMETER mm.		106.399
WEIGHT kg/m		0.523
DRAWING No.		SECTION No.
P-17331-1		-
S5449		S5449
15292		15292

1. ALL DIMENSIONS ARE IN mm.
2. ROUND OFF ALL SHARP CORNERS WITH 0.50 mm.
3. TOLERANCES WILL BE AS PER IS:6477-1983 , UNLESS OTHERWISE SPECIFIED

PARTY'S NAME	NAVRATNA INDUSTRIES, NAGPUR
PARTY'S DRAWING No.	1300.01.07
ALLOY & TEMPER	6063 T5 (AS PER EN573-3& EN 755-2)
DESCRIPTION	SQUARE TUBE-MISC.