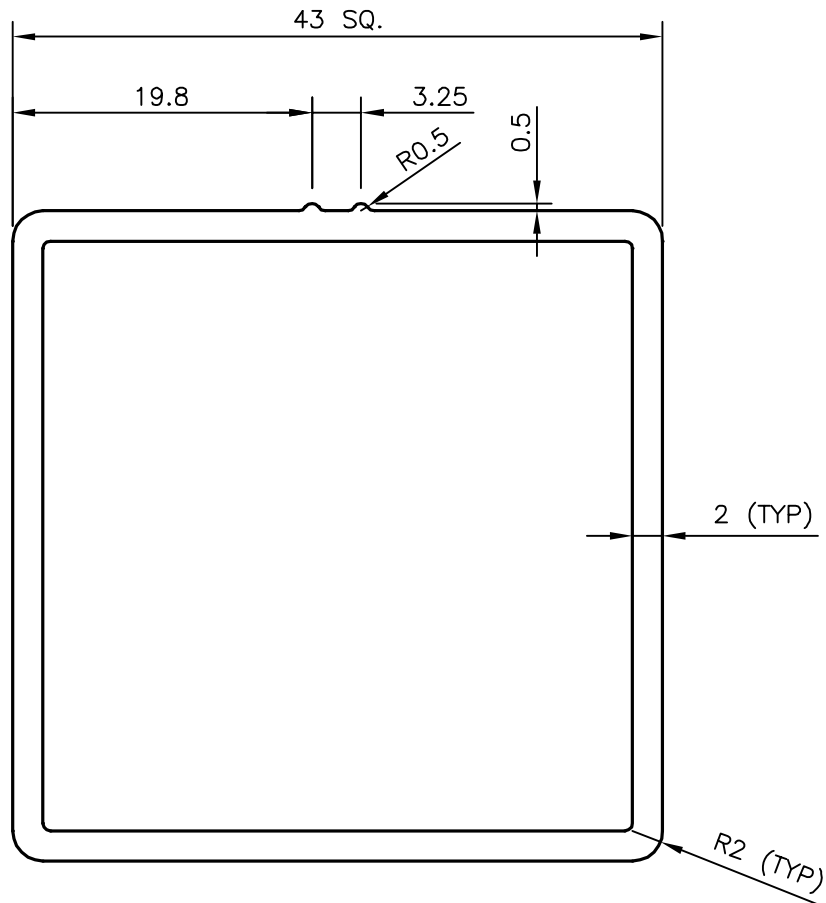
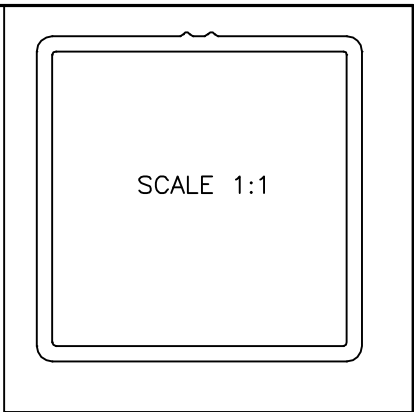


-
15298



<p>SYMBOL OF QUALITY AN ISO 9001 COMPANY</p>	<p>JINDAL ALUMINIUM LTD. BANGALORE-560073 (INDIA)</p>		NAME	DATE
		DRAWN	PRASANNA.H	11-03-2008
<p>1. ALL DIMENSIONS ARE IN mm. 2. ROUND OFF ALL SHARP CORNERS WITH 0.40 mm. 3. TOLERANCES WILL BE AS PER BS:EN-755 UNLESS OTHERWISE SPECIFIED</p>		CHECKED		
		APPROVED		
<p>PARTY'S NAME</p>		SCALE		2:1
		AREA mm ²		325.647
<p>PARTY'S DRAWING No.</p>		PERIMETER mm.		169.291
		WEIGHT kg/m		0.879
<p>ALLOY & TEMPER</p>		DRAWING No.	SECTION No.	
<p>DESCRIPTION</p>		15298	15298	
<p>SQUARE TUBE MISC.</p>				