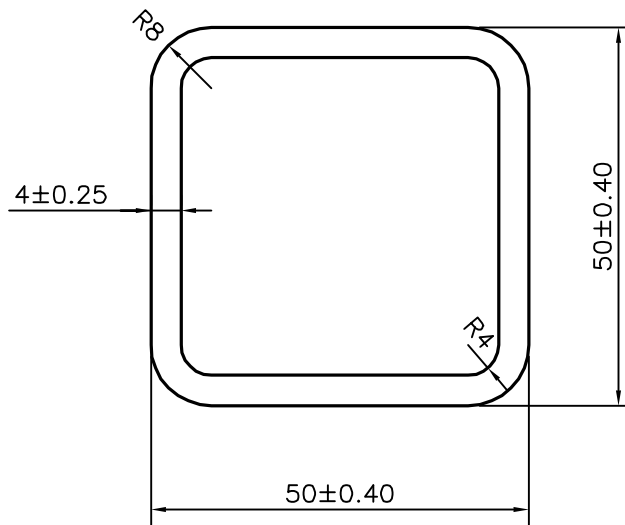


P-21143-1

15299



SYMBOL OF QUALITY  
AN ISO 9001 COMPANY

**JINDAL ALUMINIUM LTD.**  
BANGALORE-560073 (INDIA)

	NAME	DATE
DRAWN	J.P.KAUSHIK	30-06-2020
CHECKED		
APPROVED	B.NATARAJA	14-07-2020
SCALE		1:1
AREA mm <sup>2</sup>		694.796
PERIMETER mm.		186.265
WEIGHT kg/m		1.876
DRAWING No.	SECTION No.	
P-21143-1		
15299	15299	

1. ALL DIMENSIONS ARE IN mm.
2. ROUND OFF ALL SHARP CORNERS WITH 0.40 mm.
3. TOLERANCES WILL BE AS PER IS:6477-1983 UNLESS OTHERWISE SPECIFIED

PARTY'S NAME	BEML LTD., BANGALORE
PARTY'S DRAWING No.	AL-EXT-SQ-50-4THK
ALLOY & TEMPER	6061 T6
DESCRIPTION	SQUARE TUBE WITH CORNER RADII