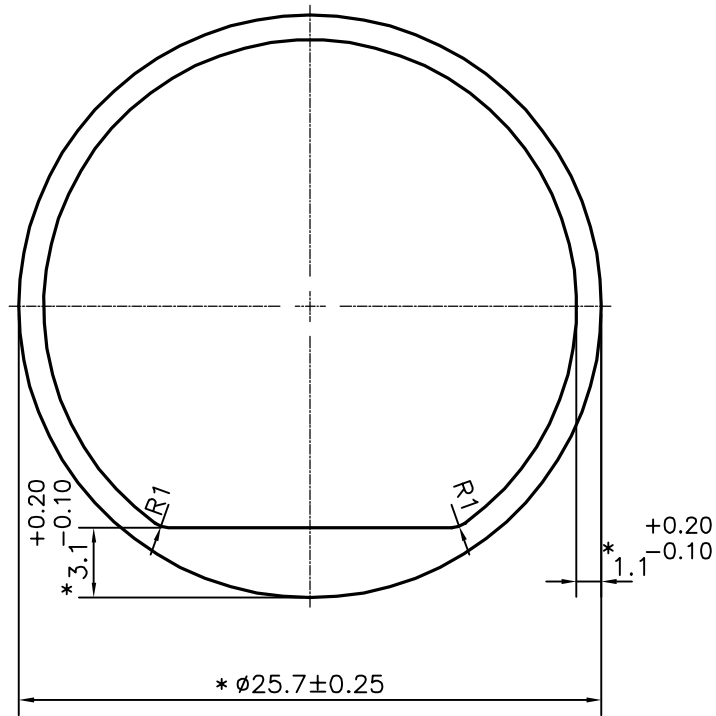



P-21183

15300

1:1



* MARKED CRITICAL DIMENSIONS

 SYMBOL OF QUALITY AN ISO 9001 COMPANY	JINDAL ALUMINIUM LTD. BANGALORE-560073 (INDIA)	DRAWN	J.P.KAUSHIK	16-07-2020	
		CHECKED			
1. ALL DIMENSIONS ARE IN mm. 2. ROUND OFF ALL SHARP CORNERS WITH 0.40 mm. 3. TOLERANCES WILL BE AS PER IS:2673-2002 , UNLESS OTHERWISE SPECIFIED		APPROVED	B.NATARAJA	08-08-2020	
		SCALE		3:1	
PARTY'S NAME		JAYANITA EXPORTS PVT. LTD., GREATER NOIDA		AREA mm ²	102.839
		PARTY'S DRAWING No.		00502-62	PERIMETER mm.
ALLOY & TEMPER		6063 T5		WEIGHT kg/m	0.278
		DESCRIPTION		CURVE TUBE	DRAWING No.
				P-21183	-
				15300	15300