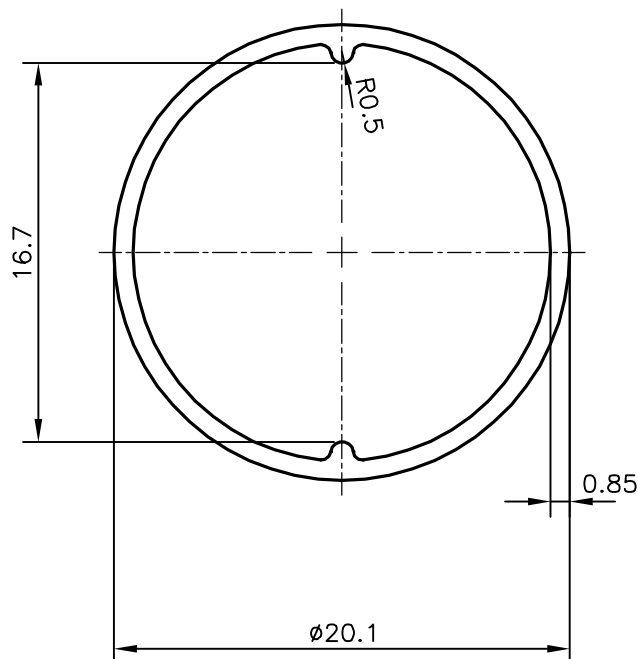
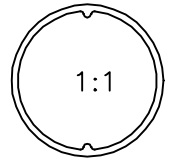


P-18038

S5754

15303



SYMBOL OF QUALITY  
AN ISO 9002 COMPANY

**JINDAL ALUMINIUM LTD.**  
BANGALORE-560073 (INDIA)

	NAME	DATE
DRAWN	J.P.KAUSHIK	24-03-2018
CHECKED		
APPROVED	B.NATARAJA	06-04-2018
SCALE		3:1
AREA mm <sup>2</sup>		53.04
PERIMETER mm.		63.146
WEIGHT kg/m		0.143
DRAWING No.	SECTION No.	
P-18038	-	
S5754	S5754	
15303	15303	

1. ALL DIMENSIONS ARE IN mm.
2. ROUND OFF ALL SHARP CORNERS WITH 0.40 mm.
3. TOLERANCES WILL BE AS PER IS:6477-1983 , UNLESS OTHERWISE SPECIFIED

PARTY'S NAME	YOHALAKSHMI INDUSTRIES, KANCHEEPURAM
PARTY'S DRAWING No.	AS PER SAMPLE
ALLOY & TEMPER	HE9 WP
DESCRIPTION	ROUND TUBE-MISC.