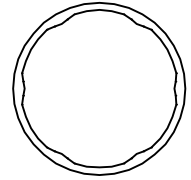


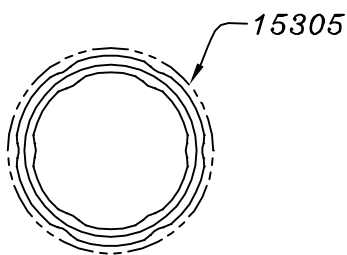
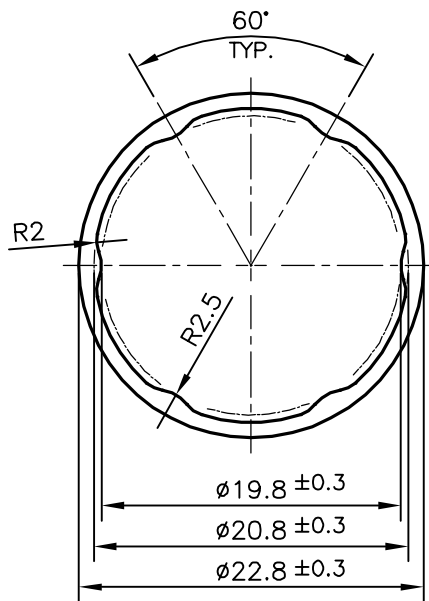
P-18340

S5911

15304



SCALE: - 1:1



MATCHING DETAIL



SYMBOL OF QUALITY
AN ISO 9001 COMPANY

JINDAL ALUMINIUM LTD.
BANGALORE-560073 (INDIA)

	NAME	DATE
DRAWN	PARVESH	23-06-2018
CHECKED		
APPROVED	B.NATARAJA	07-07-2018
SCALE		2:1
AREA mm ²		74.539
PERIMETER mm.		71.628
WEIGHT kg/m		0.201
DRAWING No.	SECTION No.	
P-18340	-	
S5911	S5911	
15304	15304	

1. ALL DIMENSIONS ARE IN mm.
2. ROUND OFF ALL SHARP CORNERS WITH 0.4 mm.
3. TOLERANCES WILL BE AS PER IS:6477-1983 , UNLESS OTHERWISE SPECIFIED

PARTY'S NAME	GURU ARJUN CNC TECHNOLOGIES, MOHALI
PARTY'S DRAWING No.	AS PER DRAWING
ALLOY & TEMPER	6063 T6
DESCRIPTION	ROUND TUBE-MISC.