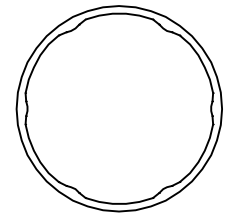


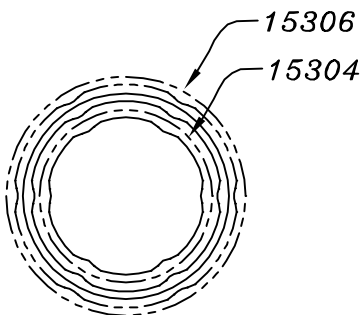
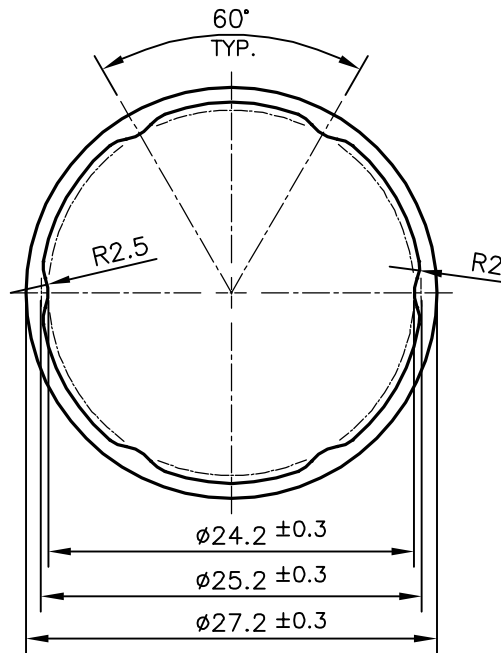
P-18341

S5912

15305



SCALE: - 1:1



MATCHING DETAIL



SYMBOL OF QUALITY  
AN ISO 9001 COMPANY

**JINDAL ALUMINIUM LTD.**  
BANGALORE-560073 (INDIA)

	NAME	DATE
DRAWN	PARVESH	23-06-2018
CHECKED		
APPROVED	B.NATARAJA	07-07-2018
SCALE		2:1
AREA mm <sup>2</sup>		88.41
PERIMETER mm.		85.451
WEIGHT kg/m		0.239
DRAWING No.	SECTION No.	
P-18341	-	
S5912	S5912	
15305	15305	

1. ALL DIMENSIONS ARE IN mm.
2. ROUND OFF ALL SHARP CORNERS WITH 0.4 mm.
3. TOLERANCES WILL BE AS PER IS:6477-1983 , UNLESS OTHERWISE SPECIFIED

PARTY'S NAME	GURU ARJUN CNC TECHNOLOGIES, MOHALI
PARTY'S DRAWING No.	AS PER DRAWING
ALLOY & TEMPER	6063 T6
DESCRIPTION	ROUND TUBE-MISC.