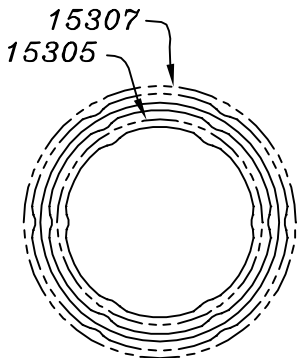
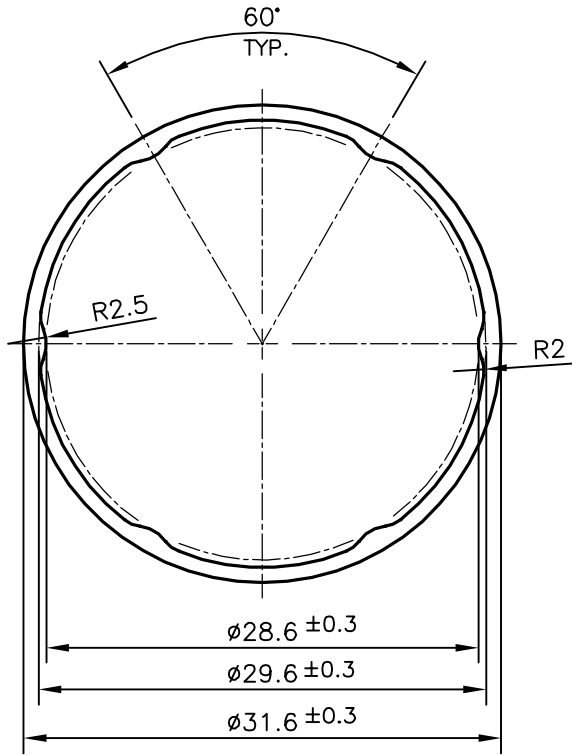
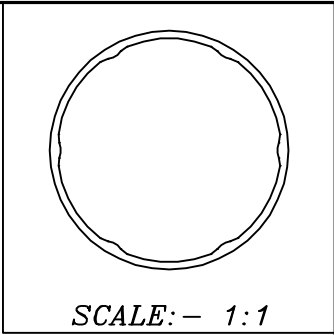



P-18342
S5913
15306



MATCHING DETAIL

 SYMBOL OF QUALITY AN ISO 9001 COMPANY	<b>JINDAL ALUMINIUM LTD.</b> BANGALORE-560073 (INDIA)	NAME		DATE
		DRAWN	PARVESH	23-06-2018
1. ALL DIMENSIONS ARE IN mm. 2. ROUND OFF ALL SHARP CORNERS WITH 0.4 mm. 3. TOLERANCES WILL BE AS PER IS:6477-1983 , UNLESS OTHERWISE SPECIFIED		CHECKED		
		APPROVED	B.NATARAJA	07-07-2018
PARTY'S NAME		SCALE		2:1
		AREA mm <sup>2</sup>		102.27
PARTY'S DRAWING No.		PERIMETER mm.		99.274
		WEIGHT kg/m		0.276
ALLOY & TEMPER		DRAWING No.	SECTION No.	
		P-18342	-	
DESCRIPTION		S5913	S5913	
		15306	15306	
ROUND TUBE-MISC.				