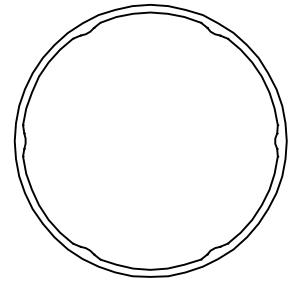


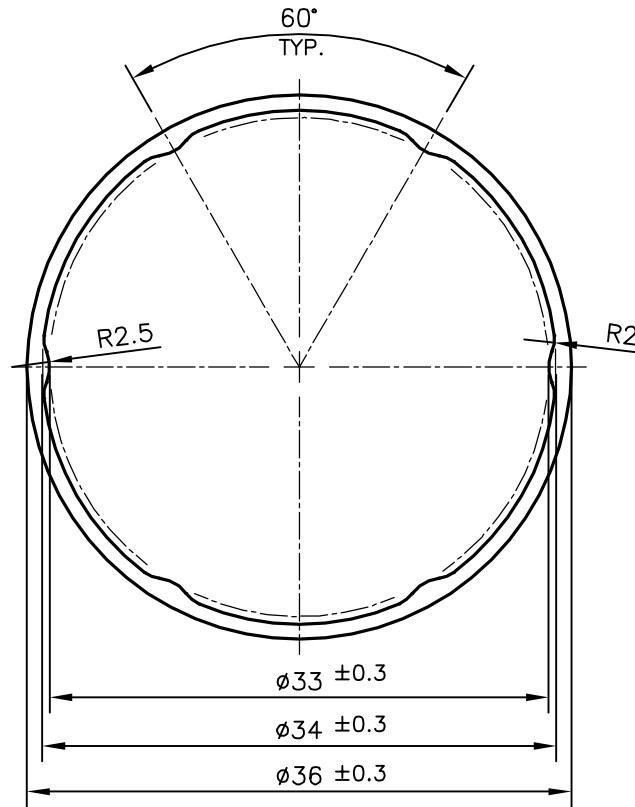
P-18343

S5914

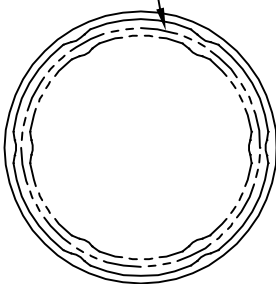
15307



SCALE: - 1:1



15306



MATCHING DETAIL



SYMBOL OF QUALITY
AN ISO 9001 COMPANY

JINDAL ALUMINIUM LTD.
BANGALORE-560073 (INDIA)

	NAME	DATE
DRAWN	PARVESH	23-06-2018
CHECKED		
APPROVED	B.NATARAJA	07-07-2018
SCALE		2:1
AREA mm ²		116.124
PERIMETER mm.		113.097
WEIGHT kg/m		0.314
DRAWING No.	SECTION No.	
P-18343	-	
S5914	S5914	
15307	15307	

1. ALL DIMENSIONS ARE IN mm.
2. ROUND OFF ALL SHARP CORNERS WITH 0.4 mm.
3. TOLERANCES WILL BE AS PER IS:6477-1983 , UNLESS OTHERWISE SPECIFIED

PARTY'S NAME	GURU ARJUN CNC TECHNOLOGIES, MOHALI
PARTY'S DRAWING No.	AS PER DRAWING
ALLOY & TEMPER	6063 T6
DESCRIPTION	ROUND TUBE-MISC.