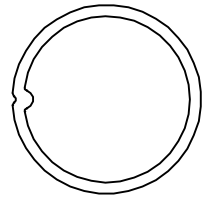


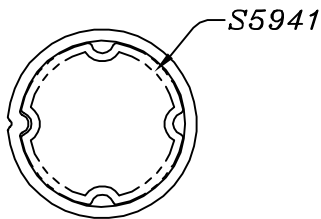
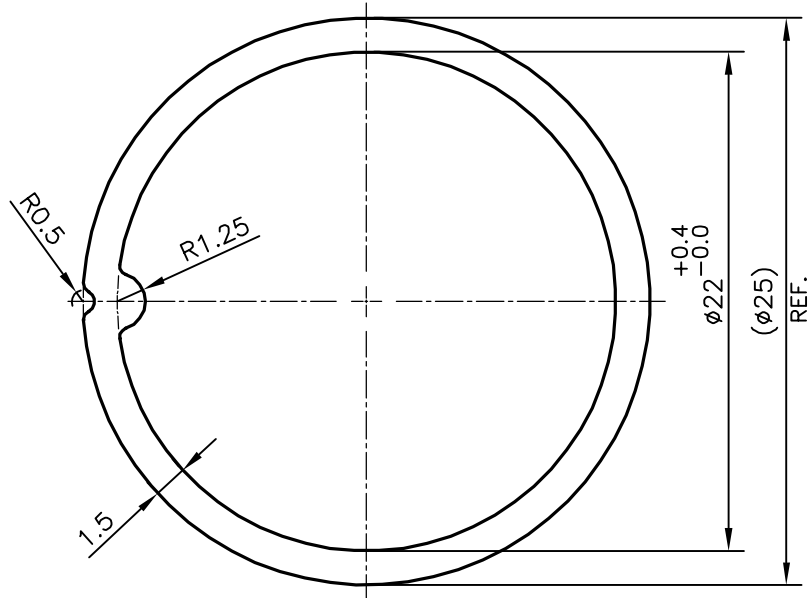
P-18358

S5942

15308



SCALE: - 1:1



SYMBOL OF QUALITY
AN ISO 9001 COMPANY

JINDAL ALUMINIUM LTD.
BANGALORE-560073 (INDIA)

	NAME	DATE
DRAWN	PARVESH	27-07-2018
CHECKED		
APPROVED	B.NATARAJA	04-08-2018
SCALE		3:1
AREA mm ²		112.769
PERIMETER mm.		78.893
WEIGHT kg/m		0.304
DRAWING No.	SECTION No.	
P-18358	-	
S5942	S5942	
15308	15308	

1. ALL DIMENSIONS ARE IN mm.
2. ROUND OFF ALL SHARP CORNERS WITH 0.4 mm.
3. TOLERANCES WILL BE AS PER IS:6477-1983 , UNLESS OTHERWISE SPECIFIED

PARTY'S NAME	FALCON GARDEN TOOLS PVT. LTD., LUDHIANA
PARTY'S DRAWING No.	FRD/CH/P18/002
ALLOY & TEMPER	6063 T6
DESCRIPTION	INDUSTRIAL SECTION-CUT & HOLD OUTER PIPE