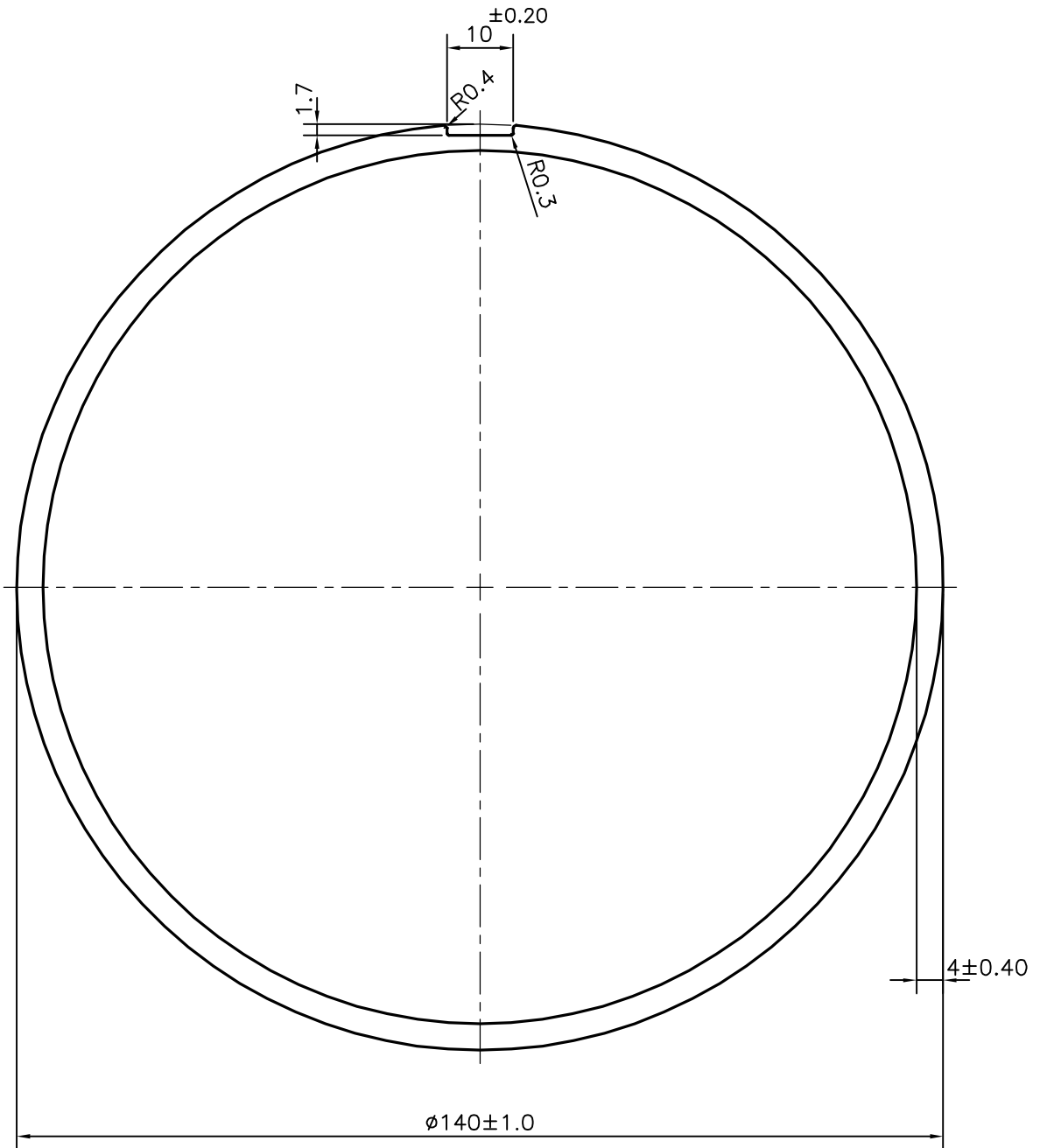


P-21734

15310



AVERAGE WEIGHT:-4.113 kg/m TO 5.027 kg/m



SYMBOL OF QUALITY
AN ISO 9001 COMPANY

JINDAL ALUMINIUM LTD.
BANGALORE-560073 (INDIA)

	NAME	DATE
DRAWN	J.P.KAUSHIK	30-10-2020
CHECKED		
APPROVED	B.NATARAJA	11-11-2020
SCALE		1:1
AREA mm ²		1692.579
PERIMETER mm.		442.192
WEIGHT kg/m		4.570
DRAWING No.	SECTION No.	
P-21734	-	
15310	15310	

1. ALL DIMENSIONS ARE IN mm.
2. ROUND OFF ALL SHARP CORNERS WITH 0.40 mm.
3. TOLERANCES WILL BE AS PER IS:2673-2002 UNLESS OTHERWISE SPECIFIED

PARTY'S NAME	L.J.TECHNOLOGIES, HYDERABAD
PARTY'S DRAWING No.	LJ/2017/D140S
ALLOY & TEMPER	6063 T6
DESCRIPTION	SECTIONAL PIPE ø140