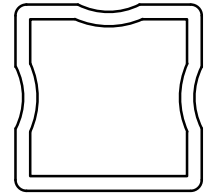
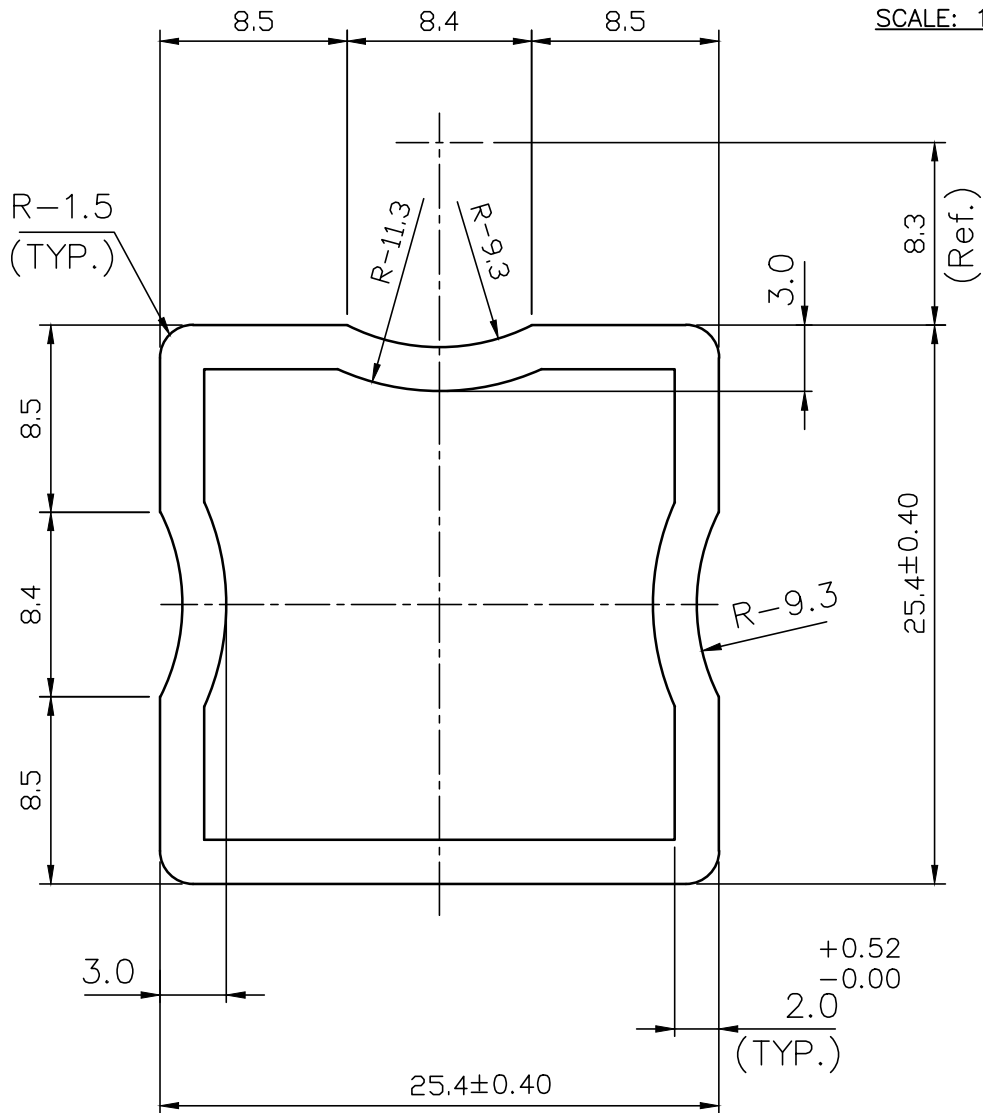


IAL-B-843

15329



SCALE: 1:1



SYMBOL OF QUALITY
AN ISO 9001 COMPANY

JINDAL ALUMINIUM LTD.
BANGALORE-560073 (INDIA)

NAME DATE

DRAWN S.K.SHARMA 08-02-2022

CHECKED

APPROVED

- ALL DIMENSIONS ARE IN mm.
- ROUND OFF ALL SHARP CORNERS WITH 0.40 mm.
- TOLERANCES WILL BE AS PER BS:EN-755-9 , UNLESS OTHERWISE SPECIFIED

SCALE 1:1&3:1

AREA mm² 188.0

PERIMETER mm. 100.0

WEIGHT kg/m 0.507

PARTY'S NAME M/S. S.K.INTERNATIONAL

PARTY'S DRAWING No. AS PER DRAWING

ALLOY & TEMPER 6063-T6

DESCRIPTION MISC. TUBE

DRAWING No. SECTION No.

IAL-B-843 -

15329 15329