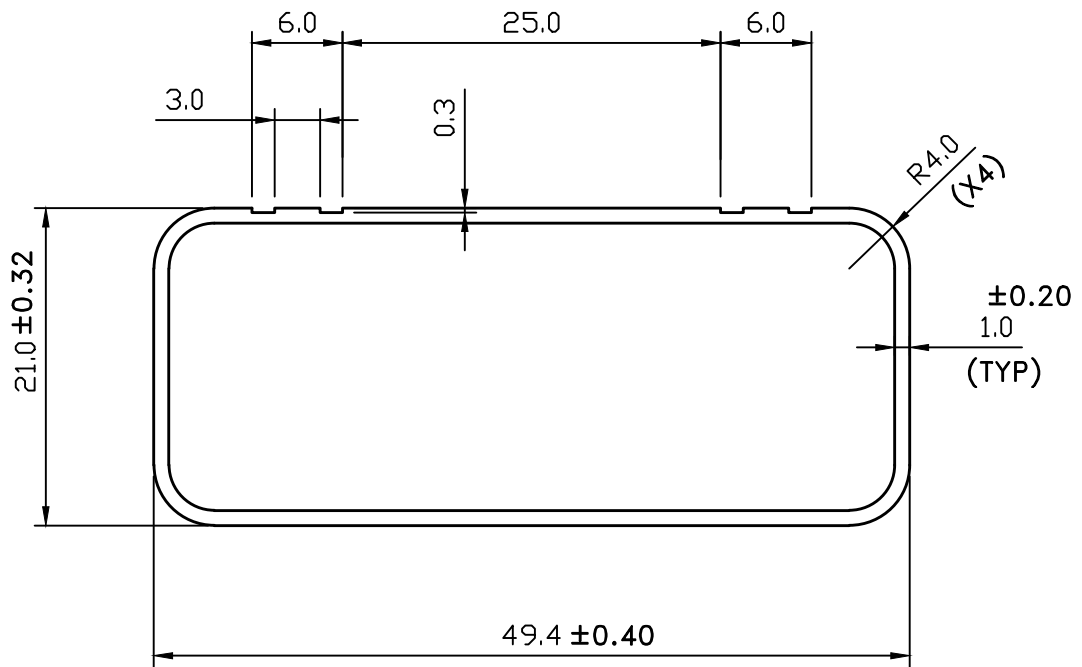


IAL-B-866

15332



SCALE: 1:1



SYMBOL OF QUALITY
AN ISO 9001 COMPANY

JINDAL ALUMINIUM LTD.
BANGALORE-560073 (INDIA)

	NAME	DATE
DRAWN	S.K.SHARMA	17-02-2022
CHECKED		
APPROVED		

1. ALL DIMENSIONS ARE IN mm.
2. ROUND OFF ALL SHARP CORNERS WITH 0.40 mm.
3. TOLERANCES WILL BE AS PER BS:EN-755-9 , UNLESS OTHERWISE SPECIFIED

SCALE	1:1&2:1
AREA mm ²	130.7
PERIMETER mm.	138.0
WEIGHT kg/m	0.353

PARTY'S NAME	M/S. AAP DIVISION	DRAWING No.	IAL-B-866	SECTION No.	-
PARTY'S DRAWING No.	AS PER DRAWING		15332		15332
ALLOY & TEMPER	6063-T6				
DESCRIPTION	MISC. TUBE				