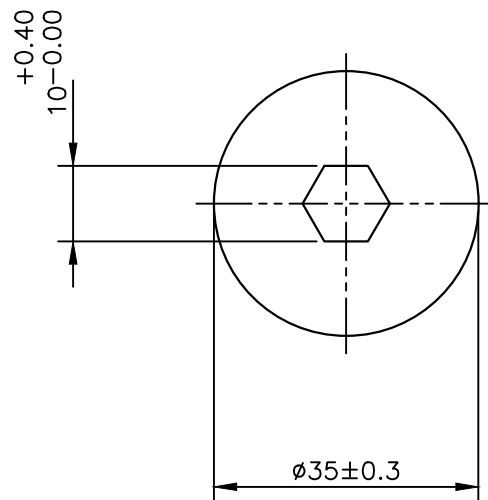



IAL-B-891

15333



NOTE:-

± 10
LENGTH :- 2000mm.

 SYMBOL OF QUALITY AN ISO 9001 COMPANY	JINDAL ALUMINIUM LTD. BANGALORE-560073 (INDIA)	NAME		DATE
		DRAWN	S.K.SHARMA	21-02-2022
1. ALL DIMENSIONS ARE IN mm. 2. ROUND OFF ALL SHARP CORNERS WITH 0.40 mm. 3. TOLERANCES WILL BE AS PER BS:EN-755-9 , UNLESS OTHERWISE SPECIFIED		CHECKED		
		APPROVED		
PARTY'S NAME M/S.PRANAV VIKAS (INDIA) LTD.		SCALE		1:1
		AREA mm ²		875.5
PARTY'S DRAWING No. AS PER DRAWING		PERIMETER mm.		109.96
		WEIGHT kg/m		2.364
ALLOY & TEMPER 6051-T6		DRAWING No.	SECTION No.	
		IAL-B-891	-	
DESCRIPTION MISC. TUBE		15333	15333	