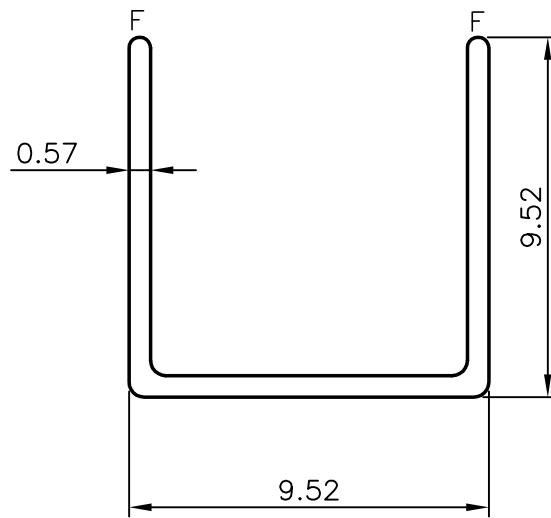


3003
15603
-



SCALE 1:1



**NOTE:-**

NO. OF PIECES IN 100 kgs:-650 (AVERAGE)

F=FULL RADIUS (2 PLACES)

<p>SYMBOL OF QUALITY AN ISO 9001 COMPANY</p>	<p><b>JINDAL ALUMINIUM LTD.</b> BANGALORE-560073 (INDIA)</p>		NAME	DATE
		DRAWN	PRASANNA.H.	19-12-2006
<p>1. ALL DIMENSIONS ARE IN mm. 2. ROUND OFF ALL SHARP CORNERS WITH 0.40 mm. 3. TOLERANCES WILL BE AS PER IS:3965-1981 UNLESS OTHERWISE SPECIFIED</p>		CHECKED		
		APPROVED		
<p>PARTY'S NAME</p>		SCALE		5:1
		AREA mm <sup>2</sup>		15.56
<p>PARTY'S DRAWING No.</p>		PERIMETER mm.		54.804
		WEIGHT kg/m		0.042
<p>ALLOY &amp; TEMPER</p>		DRAWING No.	SECTION No.	
		3003	3003	
<p>DESCRIPTION</p>		15603	15603	
		-	-	
CHANNEL				