

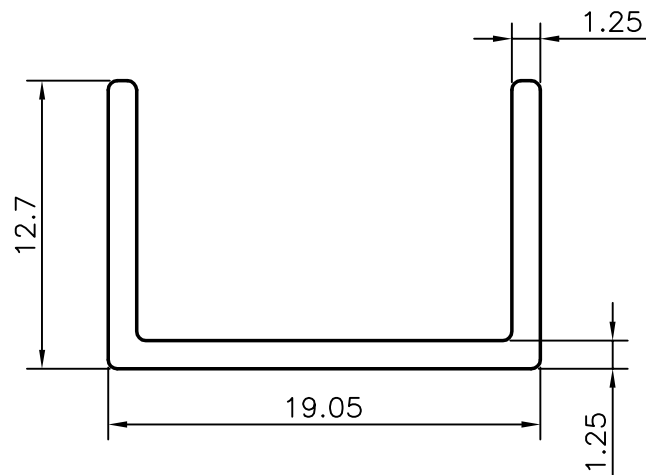
3022

15619

-



SCALE 1:1



JINDAL ALUMINIUM LTD.

BANGALORE-560073

NAME

DATE

DRAWN

P,KULKARNI

21-4-99

1. ALL DIMENSIONS ARE IN mm.
2. ROUND OFF ALL SHARP CORNERS WITH 0.4 mm.
3. TOLERANCES WILL BE AS PER IS: 3965-1981 UNLESS OTHERWISE SPECIFIED

CHECKED

APPROVED

PARTY'S NAME

SUPER ALUMINIUM CORPORATION., DELHI

SCALE

3:1

PARTY'S DRAWING No.

-

WEIGHT kg/m

0.141

ALLOY & TEMPER

HE9 WP

SECTION No.

15619

LENGTH

3658 mm

DRAWING No.

DESCRIPTION

CHANNEL

15619