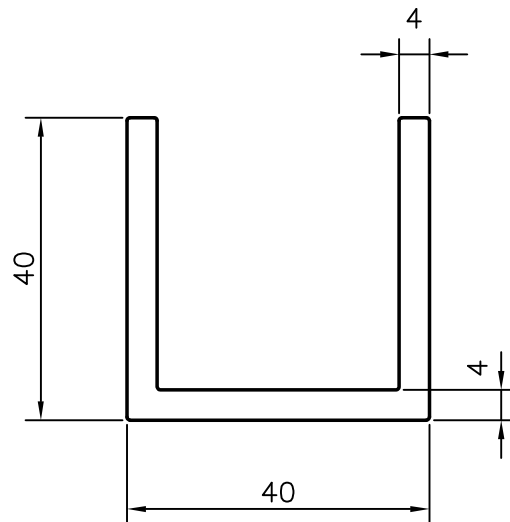


3065

15658



JINDAL ALUMINIUM LTD.

BANGALORE-560073

NAME

DATE

DRAWN

P,KULKARNI

21-4-99

1. ALL DIMENSIONS ARE IN mm.
2. ROUND OFF ALL SHARP CORNERS WITH 0.4 mm.
3. TOLERANCES WILL BE AS PER IS: 3965-1981 UNLESS OTHERWISE SPECIFIED

CHECKED

APPROVED

PARTY'S NAME

B.E.L., BANGALORE

SCALE

1:1

PARTY'S DRAWING No.

-

WEIGHT kg/m

1.210

ALLOY & TEMPER

HE30 WP

SECTION No.

15658

LENGTH

90% 3 M, 10% RANDOM LENGTH

DRAWING No.

DESCRIPTION

CHANNEL

15658