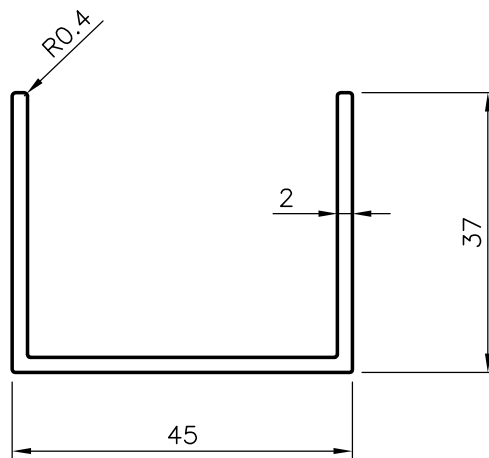


P-5045

15713



SYMBOL OF QUALITY
AN ISO 9001 COMPANY

JINDAL ALUMINIUM LTD.
BANGALORE-560073 (INDIA)

	NAME	DATE
DRAWN	RAGHAVENDRA	14-10-2004
CHECKED		
APPROVED		
SCALE		1:1
AREA mm ²		229.863
PERIMETER mm.		232.627
WEIGHT kg/m		0.621
DRAWING No.	SECTION No.	
P-5045	-	
15713	15713	

1. ALL DIMENSIONS ARE IN mm.
2. ROUND OFF ALL SHARP CORNERS WITH 0.40 mm.
3. TOLERANCES WILL BE AS PER IS:3965-1981 UNLESS OTHERWISE SPECIFIED

PARTY'S NAME	JOSEPH INDUSTRIES, DUBAI
PARTY'S DRAWING No.	AS PER SPECIFICATION
ALLOY & TEMPER	6063 T6
DESCRIPTION	CHANNEL