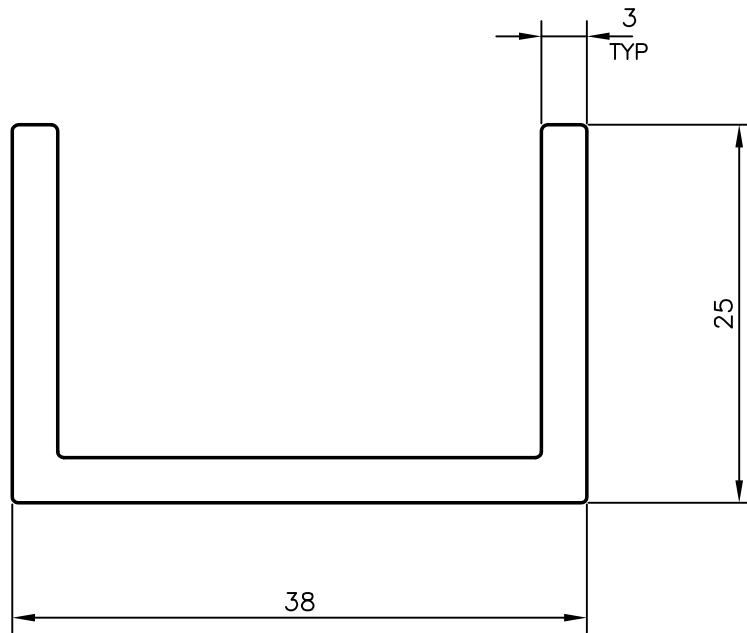


P-10539

15748



SYMBOL OF QUALITY
AN ISO 9001 COMPANY

JINDAL ALUMINIUM LTD.
BANGALORE-560073 (INDIA)

	NAME	DATE
DRAWN	J.P.KAUSHIK	29-10-2010
CHECKED		
APPROVED	S.S.GARG	04-11-2010
SCALE		2:1
AREA mm ²		245.863
PERIMETER mm.		168.627
WEIGHT kg/m		0.664
DRAWING No.		SECTION No.
P-10539		-
15748		15748

1. ALL DIMENSIONS ARE IN mm.
2. ROUND OFF ALL SHARP CORNERS WITH 0.40 mm.
3. TOLERANCES WILL BE AS PER,IS:3965-1981 UNLESS OTHERWISE SPECIFIED

PARTY'S NAME	GENERAL CATEGORY, BANGALORE MARKET
PARTY'S DRAWING No.	AS PER SPECIFICATION
ALLOY & TEMPER	HE9 WP
DESCRIPTION	CHANNEL