

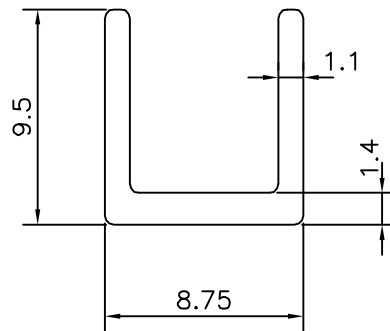
P-12724-1

S3763

15771



SCALE: - 1:1



WEIGHT RANGE -  $+0.0\%$   
 $-6.0\%$   
 0.076 kg/m TO 0.081 kg/m

## TOLERANCES ON OVERALL WIDTHS &amp; WIDTHS ACROSS FLATS OF BARS, &amp; REGULAR SECTIONS

UPTO 6.40mm - $\pm 0.20$	UPTO 32.0mm - $\pm 0.38$	UPTO 120.0mm - $\pm 0.85$	UPTO 320.00mm - $\pm 1.70$
UPTO 10.0mm - $\pm 0.23$	UPTO 50.0mm - $\pm 0.46$	UPTO 160.0mm - $\pm 1.02$	
UPTO 12.0mm - $\pm 0.25$	UPTO 60.0mm - $\pm 0.53$	UPTO 200.0mm - $\pm 1.14$	
UPTO 16.0mm - $\pm 0.28$	UPTO 80.0mm - $\pm 0.69$	UPTO 250.0mm - $\pm 1.40$	
UPTO 25.0mm - $\pm 0.30$	UPTO 100.0mm - $\pm 0.75$	UPTO 300.0mm - $\pm 1.65$	



SYMBOL OF QUALITY  
AN ISO 9001 COMPANY

**JINDAL ALUMINIUM LTD.**  
BANGALORE-560073 (INDIA)

	NAME	DATE
DRAWN	PARVESH	13-05-2013
CHECKED		
APPROVED	S.S.GARG	17-05-2013

- ALL DIMENSIONS ARE IN mm.
- ROUND OFF ALL SHARP CORNERS WITH 0.40 mm.
- TOLERANCES WILL BE AS PER IS:3965-1981, UNLESS OTHERWISE SPECIFIED

SCALE	3:1
AREA mm <sup>2</sup>	29.933
PERIMETER mm.	51.327
WEIGHT kg/m	0.081

PARTY'S NAME	GIRDHARI LAL CONSTRUCTIONS PVT. LTD., BATHINDA	DRAWING No.	P-12724-1	SECTION No.	-
PARTY'S DRAWING No.	LIGHTER OF SECTION No.15602		S3763		S3763
ALLOY & TEMPER	6063 T6		15771		15771
DESCRIPTION	CHANNEL SECTION				