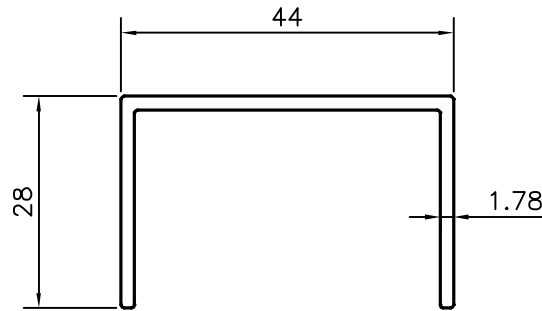


P-15954

15781



SYMBOL OF QUALITY
AN ISO 9001 COMPANY

JINDAL ALUMINIUM LTD.
BANGALORE-560073 (INDIA)

	NAME	DATE
DRAWN	PARVESH	17-06-2016
CHECKED		
APPROVED	S.S. GARG	21-06-2016
SCALE		1:1
AREA mm ²		171.526
PERIMETER mm.		195.067
WEIGHT kg/m		0.463

1. ALL DIMENSIONS ARE IN mm.
2. ROUND OFF ALL SHARP CORNERS WITH 0.40 mm.
3. TOLERANCES WILL BE AS PER BS:EN-755-9 , UNLESS OTHERWISE SPECIFIED

PARTY'S NAME	COPALCOR TRADING WADEVILLE, SOUTH AFRICA	DRAWING No.	P-15954	SECTION No.	-
PARTY'S DRAWING No.	AS PER SPECIFICATION		15781		15781
ALLOY & TEMPER	6063 T6				
DESCRIPTION	CHANNEL SECTION				