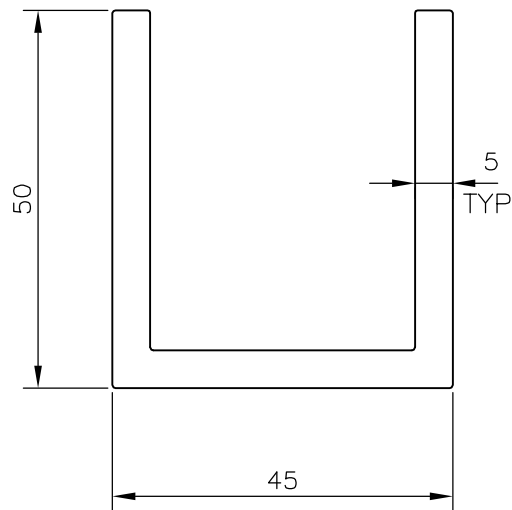


P-18969

15791



SYMBOL OF QUALITY
AN ISO 9001 COMPANY

JINDAL ALUMINIUM LTD.
BANGALORE-560073 (INDIA)

	NAME	DATE
DRAWN	J.P.KAUSHIK	17-12-2018
CHECKED		
APPROVED	<i>B.NATARAJA</i>	11-01-2019
SCALE		1:1
AREA mm ²		674.863
PERIMETER mm.		278.627
WEIGHT kg/m		1.822
DRAWING No.	SECTION No.	
P-18969	-	
15791	15791	

1. ALL DIMENSIONS ARE IN mm.
2. ROUND OFF ALL SHARP CORNERS WITH 0.40 mm.
3. TOLERANCES WILL BE AS PER BS:EN-755-9 , UNLESS OTHERWISE SPECIFIED

PARTY'S NAME	GLASS & MIRROR FIJI LTD., FIJI
PARTY'S DRAWING No.	AS PER DRAWING
ALLOY & TEMPER	6063 T6
DESCRIPTION	CHENNEL