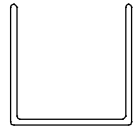
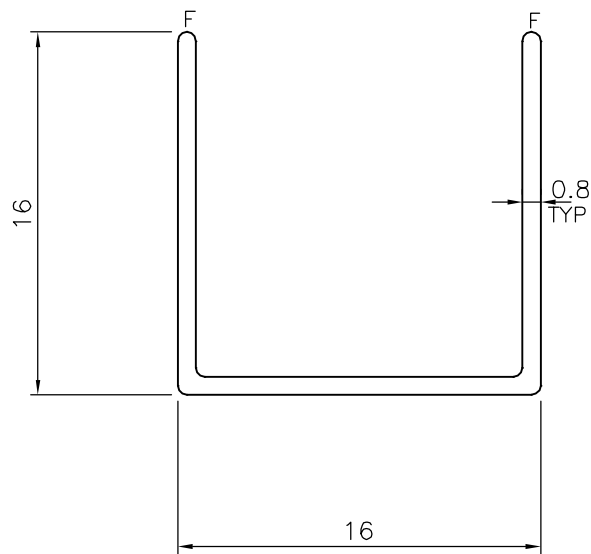


P-19963

15792



1:1



F = FULL RADIUS (2 PLACES)



SYMBOL OF QUALITY
AN ISO 9001 COMPANY

JINDAL ALUMINIUM LTD.
BANGALORE-560073 (INDIA)

	NAME	DATE
DRAWN	J.P.KAUSHIK	06-08-2019
CHECKED		
APPROVED	B.NATARAJA	10-08-2019
SCALE		3:1
AREA mm ²		36.983
PERIMETER mm.		93.027
WEIGHT kg/m		0.100
DRAWING No.	SECTION No.	
P-19963	-	
15792	15792	

1. ALL DIMENSIONS ARE IN mm.
2. ROUND OFF ALL SHARP CORNERS WITH 0.40 mm.
3. TOLERANCES WILL BE AS PER BS:EN-755-9 , UNLESS OTHERWISE SPECIFIED

PARTY'S NAME	ASIAN HARDWARE PTE LTD., SRILANKA
PARTY'S DRAWING No.	AS PER SPECIFICATION
ALLOY & TEMPER	6063 T6
DESCRIPTION	CHANNEL