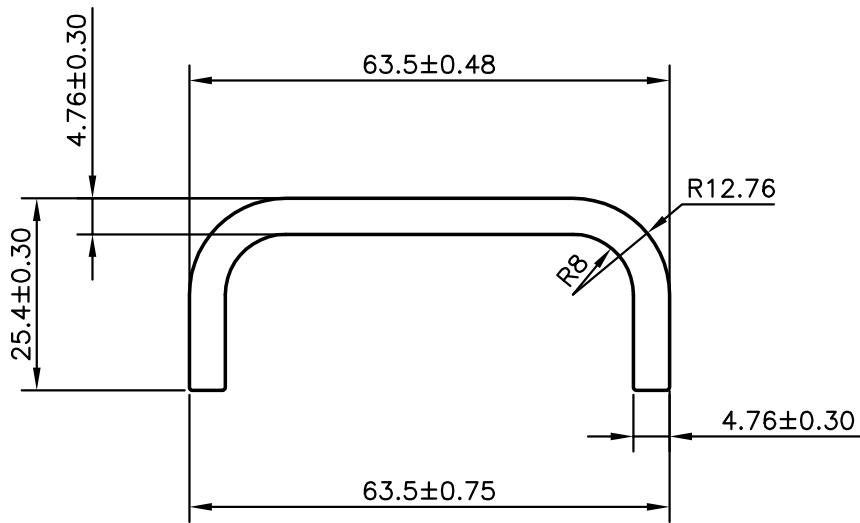


P-10238

S2634

16027



SYMBOL OF QUALITY
AN ISO 9001 COMPANY

JINDAL ALUMINIUM LTD.
BANGALORE-560073 (INDIA)

	NAME	DATE
DRAWN	RAGHAVENDRA	30-07-2010
CHECKED		
APPROVED	S.S.GARG	05-08-2010
SCALE		1:1
AREA mm ²		456.203
PERIMETER mm.		200.573
WEIGHT kg/m		1.232
DRAWING No.	SECTION No.	
P-10238	-	
S2634	S2634	
16027	16027	

1. ALL DIMENSIONS ARE IN mm.
2. ROUND OFF ALL SHARP CORNERS WITH 0.40 mm.
3. TOLERANCES WILL BE AS PER BS:EN-12020-2 UNLESS OTHERWISE SPECIFIED

PARTY'S NAME	AMBA INDUSTRIES, BANGALORE
PARTY'S DRAWING No.	AS PER DRAWING
ALLOY & TEMPER	6061 T6
DESCRIPTION	CHANNEL-MISC.