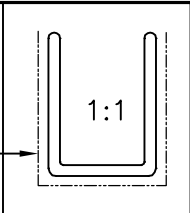
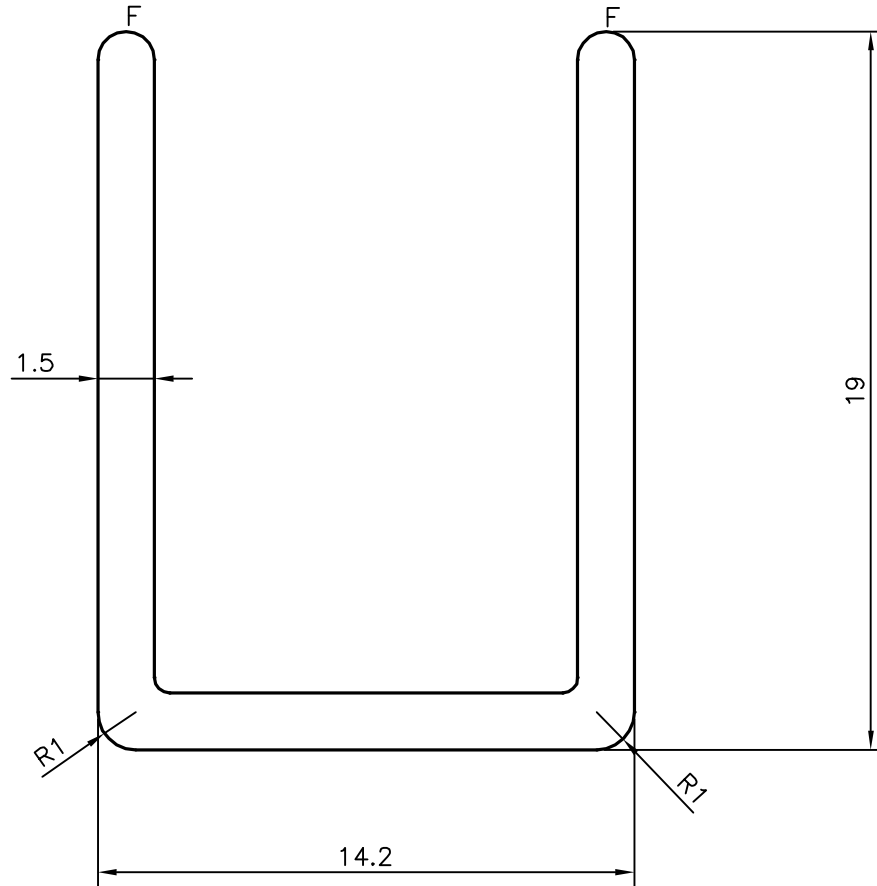


P-14761

16034



EXPOSED SURFACE



F = FULL RADIUS



SYMBOL OF QUALITY  
AN ISO 9001 COMPANY

**JINDAL ALUMINIUM LTD.**  
BANGALORE-560073 (INDIA)

	NAME	DATE
DRAWN	J.P.KAUSHIK	20-06-2015
CHECKED		
APPROVED	S.S.GARG	24-06-2015
SCALE		5:1
AREA mm <sup>2</sup>		72.957
PERIMETER mm.		98.911
WEIGHT kg/m		0.197
DRAWING No.	SECTION No.	
P-14761		
16034	16034	

1. ALL DIMENSIONS ARE IN mm.
2. ROUND OFF ALL SHARP CORNERS WITH 0.40 mm.
3. TOLERANCES WILL BE AS PER IS:3965-1981 UNLESS OTHERWISE SPECIFIED

PARTY'S NAME	GENERAL CATEGORY, DELHI MARKET
PARTY'S DRAWING No.	AS PER SAMPLE
ALLOY & TEMPER	HE9 WP
DESCRIPTION	CHANNEL-MISC.