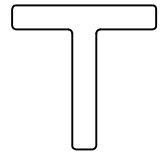
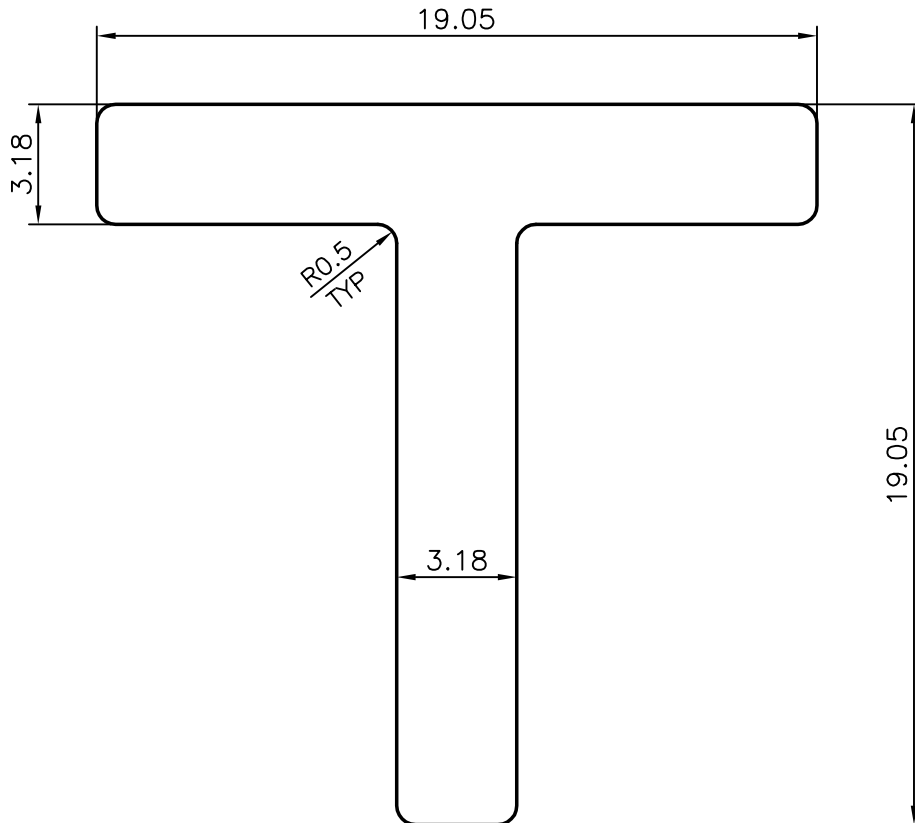


3204

16104



SCALE 1:1



SYMBOL OF QUALITY  
AN ISO 9001 COMPANY

**JINDAL ALUMINIUM LTD.**  
BANGALORE-560073 (INDIA)

	NAME	DATE
DRAWN	RAGHAVENDRA	16-09-2006
CHECKED		
APPROVED		

1. ALL DIMENSIONS ARE IN mm.
2. ROUND OFF ALL SHARP CORNERS WITH 0.50 mm.
3. TOLERANCES WILL BE AS PER IS:3965-1981 UNLESS OTHERWISE SPECIFIED

SCALE	5:1
AREA mm <sup>2</sup>	110.831
PERIMETER mm.	74.483
WEIGHT kg/m	0.299

PARTY'S NAME	-	DRAWING No.	3204	SECTION No.	3204
PARTY'S DRAWING No.	-		16104		16104
ALLOY & TEMPER	HE9 WP				
DESCRIPTION	EQUAL TEE				