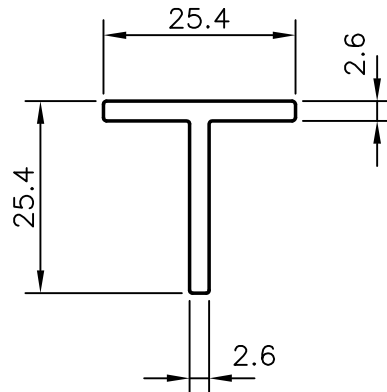


3232

16125



# *JINDAL ALUMINIUM LTD.*

*BANGALORE-560073*

<i>JINDAL ALUMINIUM LTD.</i> <i>BANGALORE-560073</i>		NAME	DATE
		DRAWN	R.D.Sharma
1. ALL DIMENSIONS ARE IN mm. 2. ROUND OFF ALL SHARP CORNERS WITH 0.4 mm. 3. TOLERANCES WILL BE AS PER IS: 3965-1981 ,UNLESS OTHERWISE SPECIFIED		CHECKED	
		APPROVED	
		SCALE	1:1
PARTY'S NAME	—	WEIGHT kg/m	0.338
PARTY'S DRAWING No.	—	SECTION No.	16125
ALLOY & TEMPER	HE9 WP	DRAWING No.	16125
LENGTH	3658 mm.		
DESCRIPTION	TEE-SQUARE FILLET		