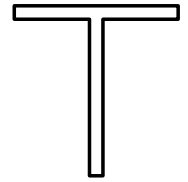


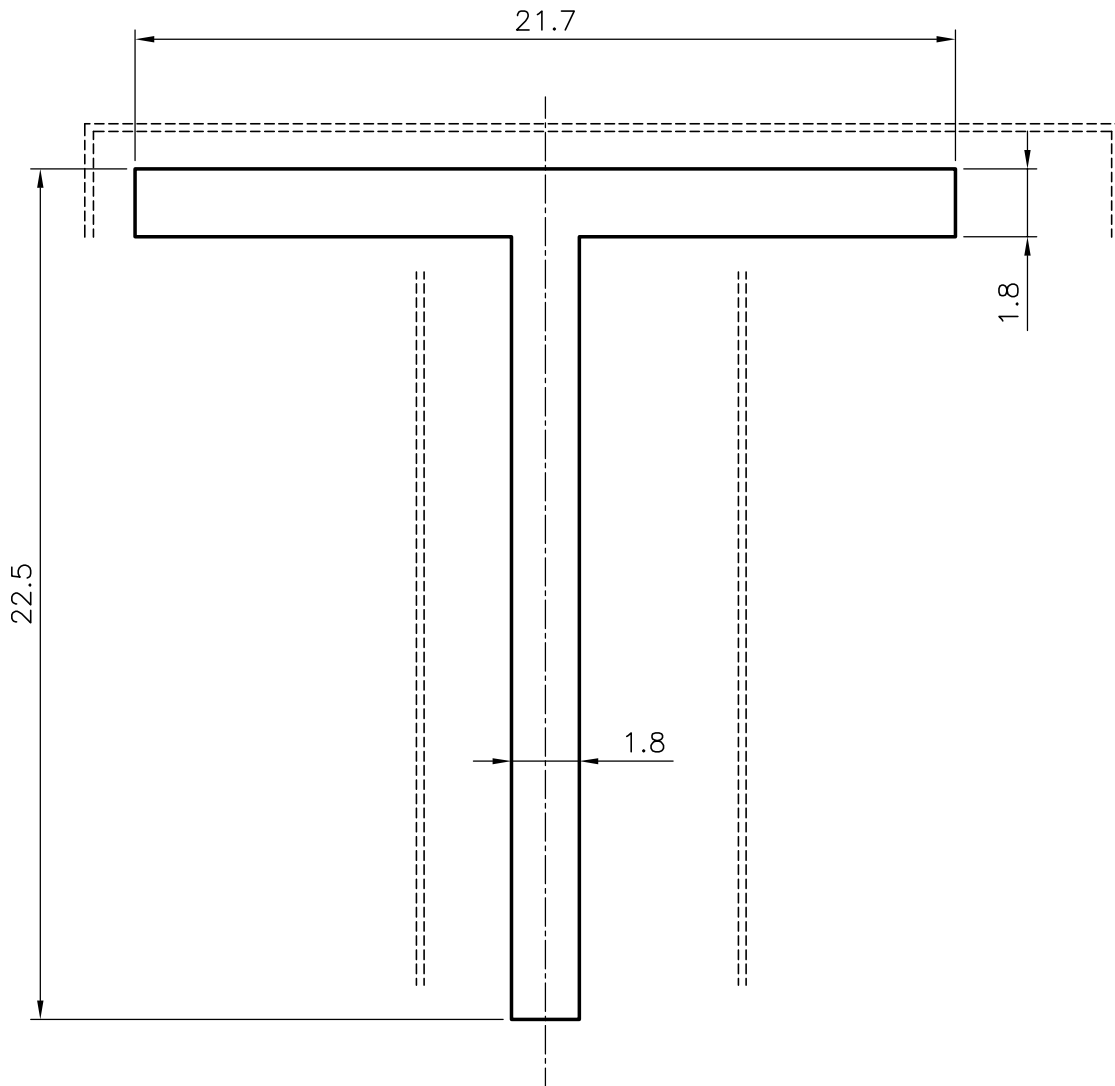
P-3823

3255

16142



SCALE 1:1



BETTER FINISH ZONE



SYMBOL OF QUALITY  
AN ISO 9002 COMPANY

**JINDAL ALUMINIUM LTD.**  
BANGALORE-560073 (INDIA)

	NAME	DATE
DRAWN	RAGHAVENDRA	08-04-02
CHECKED		
APPROVED		

1. ALL DIMENSIONS ARE IN mm.
2. ROUND OFF ALL SHARP CORNERS WITH 0.40 mm.
3. TOLERANCES WILL BE AS PER IS 3965-1981 UNLESS OTHERWISE SPECIFIED

SCALE	5:1 & 1:1
AREA mm <sup>2</sup>	76.32
PERIMETER	88.40mm
WEIGHT kg/m	0.206
SECTION No.	16142
DRAWING No.	16142

PARTY'S NAME	GENERAL CATEGORY ,. COCHIN MARKET
PARTY'S DRAWING No.	AS PER SKETCH
ALLOY & TEMPER	HE9 WP
DESCRIPTION	TEE-SQUARE FILLET