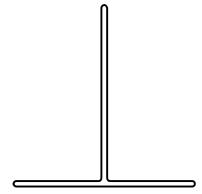
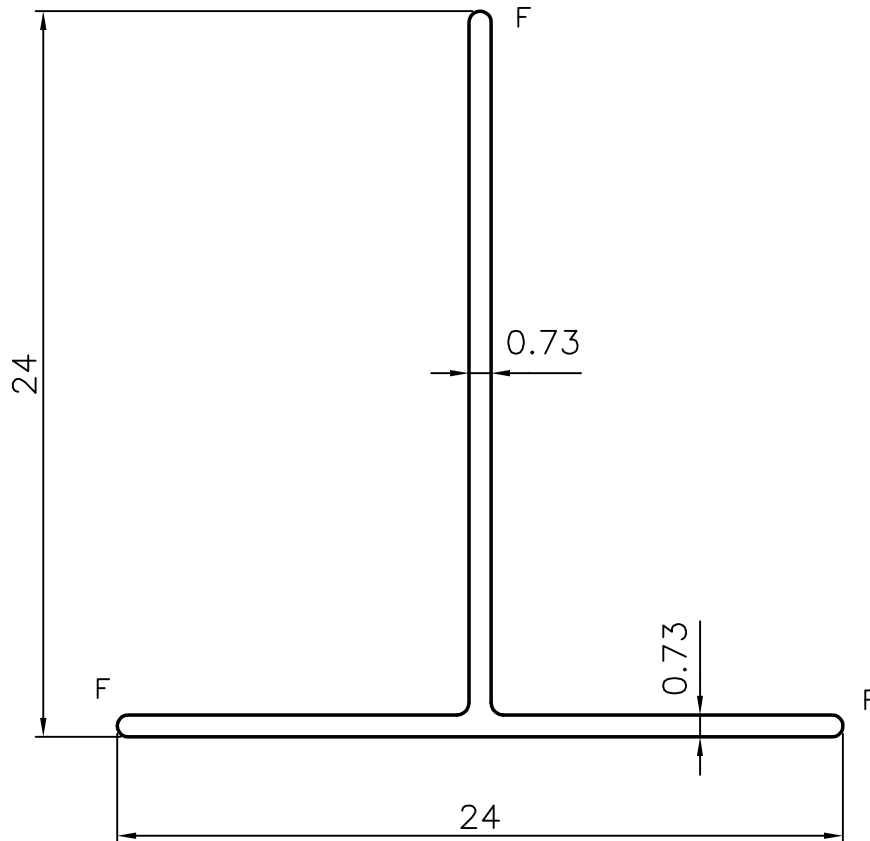


P-5456

16144




1:1



F = FULL RADIUS (3 PLACES)

AVERAGE WEIGHT:- 0.340 kg/3658 mm

 SYMBOL OF QUALITY AN ISO 9001 COMPANY	JINDAL ALUMINIUM LTD. BANGALORE-560073 (INDIA)	NAME		DATE
		DRAWN	MALINGAPPA	25-04-2005
1. ALL DIMENSIONS ARE IN mm. 2. ROUND OFF ALL SHARP CORNERS WITH 0.40 mm. 3. TOLERANCES WILL BE AS PER IS:3965-1981 UNLESS OTHERWISE SPECIFIED		CHECKED		
		APPROVED		
PARTY'S NAME GENERAL CATEGORY, KOLKATA MARKET		SCALE		4:1
		AREA mm ²		34.404
PARTY'S DRAWING No. AS PER SAMPLE/WEIGHT		PERIMETER mm.		94.717
		WEIGHT kg/m		0.093
ALLOY & TEMPER HE9 WP		DRAWING No.		SECTION No.
		P-5456		-
DESCRIPTION TEE SECTION		16144		16144