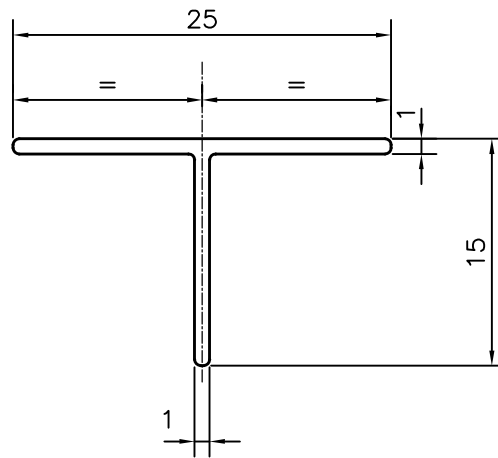
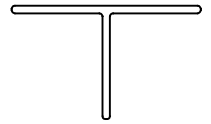


P-11303

S3089

16154



SYMBOL OF QUALITY  
AN ISO 9001 COMPANY

**JINDAL ALUMINIUM LTD.**  
BANGALORE-560073 (INDIA)

	NAME	DATE
DRAWN	J.P.KAUSHIK	28-10-2011
CHECKED		
APPROVED	J.N. RAI	04-11-2011
SCALE		2:1
AREA mm <sup>2</sup>		38.863
PERIMETER mm.		78.627
WEIGHT kg/m		0.105
DRAWING No.	SECTION No.	
P-11303	-	
S3089	S3089	
16154	16154	

1. ALL DIMENSIONS ARE IN mm.
2. ROUND OFF ALL SHARP CORNERS WITH 0.40 mm.
3. TOLERANCES WILL BE AS PER, BS:EN-755-9 UNLESS OTHERWISE SPECIFIED

PARTY'S NAME	LAFARGE BORAL GYPSUM INDIA PVT. LTD., ALWAR
PARTY'S DRAWING No.	AS PER DRAWING
ALLOY & TEMPER	HE9 WP
DESCRIPTION	T SECTION