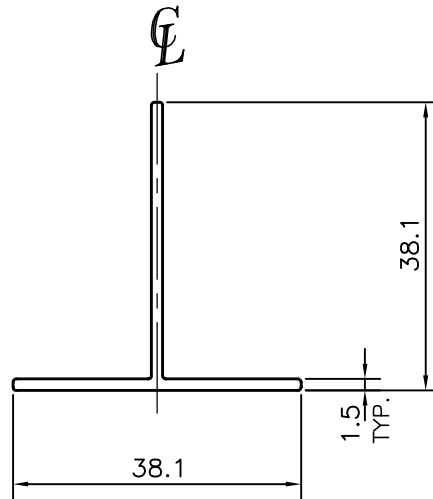


P-11796

S3349

16155



SYMBOL OF QUALITY  
AN ISO 9001 COMPANY

**JINDAL ALUMINIUM LTD.**  
BANGALORE-560073 (INDIA)

|                      | NAME        | DATE       |
|----------------------|-------------|------------|
| DRAWN                | PARVESH     | 05-06-2012 |
| CHECKED              |             |            |
| APPROVED             | S.S.GARG    | 09-06-2012 |
| SCALE                |             | 1:1        |
| AREA mm <sup>2</sup> |             | 111.913    |
| PERIMETER mm.        |             | 151.027    |
| WEIGHT kg/m          |             | 0.302      |
| DRAWING No.          | SECTION No. |            |
| P-11796              | -           |            |
| S3349                | S3349       |            |
| 16155                | 16155       |            |
|                      |             |            |
|                      |             |            |

1. ALL DIMENSIONS ARE IN mm.
2. ROUND OFF ALL SHARP CORNERS WITH 0.40 mm.
3. TOLERANCES WILL BE AS PER IS:3965-1981, UNLESS OTHERWISE SPECIFIED

|                     |                             |
|---------------------|-----------------------------|
| PARTY'S NAME        | BALI INNOVATIVE SOLUTIONS   |
| PARTY'S DRAWING No. | LIGHTER OF SECTION No.16118 |
| ALLOY & TEMPER      | HE9 WP                      |
| DESCRIPTION         | TEE SECTION                 |