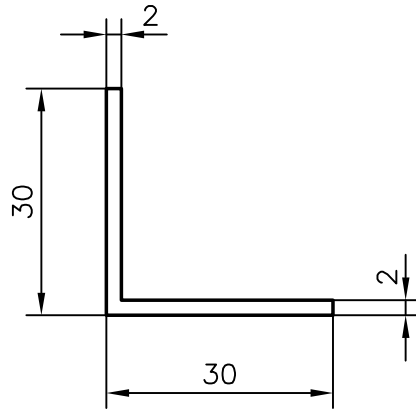


| |
|-------|
| 3449 |
| 16447 |
| - |



| | | | | |
|---|---|-------------|------------|----------|
| JINDAL ALUMINIUM LTD. <i>BANGALORE-560073</i> | | | NAME | DATE |
| | | DRAWN | R.D.Sharma | 28-08-96 |
| 1. ALL DIMENSIONS ARE IN mm. 2. ROUND OFF ALL SHARP CORNERS WITH 0.4 mm. 3. TOLERANCES WILL BE AS PER IS: 3965-1981 ,UNLESS OTHERWISE SPECIFIED | | CHECKED | | |
| | | APPROVED | | |
| | | SCALE | | 1:1 |
| PARTY'S NAME | KAZMI TRADING AND IMPORTING CO., AJMAN, U.A.E. | WEIGHT kg/m | | 0.313 |
| PARTY'S DRAWING No. | - | SECTION No. | | 16447 |
| ALLOY & TEMPER | HE9 WP | DRAWING No. | | |
| LENGTH | 5750 mm. | 16447 | | |
| DESCRIPTION | EQUAL ANGLE | | | |