

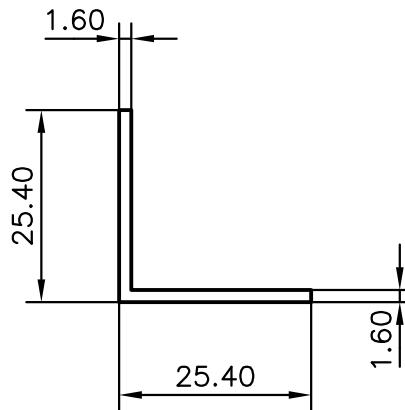
3454

16451

GENERAL

EXCLUSIVE

PARTLY EXCLUSIVE



JINDAL ALUMINIUM LTD.

BANGALORE-560073

NAME

DATE

DRAWN

R.D.Sharma

06-06-97

1. ALL DIMENSIONS ARE IN mm.
2. ROUND OFF ALL SHARP CORNERS WITH 0.4 mm.
3. TOLERANCES WILL BE AS PER IS: 3965-1981 ,UNLESS OTHERWISE SPECIFIED

CHECKED

APPROVED

PARTY'S NAME

A. ABDUL RAHIM OOSMAN & CO., MAURITIUS

SCALE

1:1

PARTY'S DRAWING No.

-

WEIGHT kg/m

0.213

ALLOY & TEMPER

HE9 WP (6063 T6)

SECTION No.

16451

LENGTH

5500 mm.

DRAWING No.

DESCRIPTION

EQUAL ANGLE-SQUARE FILLET

16451