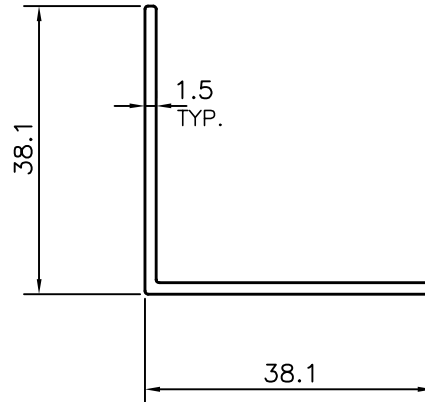


P-11797

S3350

16499



SYMBOL OF QUALITY
AN ISO 9001 COMPANY

JINDAL ALUMINIUM LTD.
BANGALORE-560073 (INDIA)

	NAME	DATE
DRAWN	PARVESH	05-06-2012
CHECKED		
APPROVED	S.S.GARG	09-06-2012
SCALE		1:1
AREA mm ²		111.913
PERIMETER mm.		151.37
WEIGHT kg/m		0.302
DRAWING No.		SECTION No.
P-11797		-
S3350		S3350
16499		16499

1. ALL DIMENSIONS ARE IN mm.
2. ROUND OFF ALL SHARP CORNERS WITH 0.40 mm.
3. TOLERANCES WILL BE AS PER IS:3965-1981, UNLESS OTHERWISE SPECIFIED

PARTY'S NAME	BALI INNOVATIVE SOLUTIONS
PARTY'S DRAWING No.	LIGHTER OF SECTION No.16412
ALLOY & TEMPER	HE9 WP
DESCRIPTION	EQUAL ANGLE- SQUARE FILLET SECTION