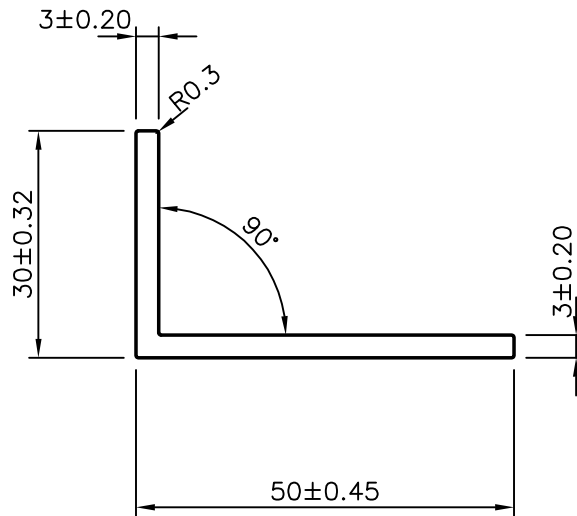


P-9138

16766



SYMBOL OF QUALITY
AN ISO 9001 COMPANY

JINDAL ALUMINIUM LTD.
BANGALORE-560073 (INDIA)

	NAME	DATE
DRAWN	J.P.KAUSHIK	28-03-2009
CHECKED		
APPROVED		

1. ALL DIMENSIONS ARE IN mm.
2. ROUND OFF ALL SHARP CORNERS WITH 0.30 mm.
3. TOLERANCES WILL BE AS PER BS:EN-755 UNLESS OTHERWISE SPECIFIED

SCALE	1:1
AREA mm ²	230.863
PERIMETER mm.	158.97
WEIGHT kg/m	0.623

PARTY'S NAME	ALPHA STAR TRADING, UAE	DRAWING No.	SECTION No.
PARTY'S DRAWING No.	AS PER SPECIFICATION	P-9138	-
ALLOY & TEMPER	6063 T5	16766	16766
DESCRIPTION	UNEQUAL ANGLE		