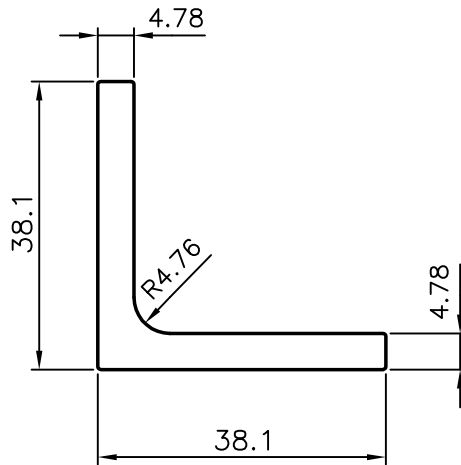



3633
16906



 SYMBOL OF QUALITY AN ISO 9001 COMPANY	JINDAL ALUMINIUM LTD. BANGALORE-560073 (INDIA)		NAME	DATE
		DRAWN	MALINGAPPA	11-04-2006
1. ALL DIMENSIONS ARE IN mm. 2. ROUND OFF ALL SHARP CORNERS WITH 0.40 mm. 3. TOLERANCES WILL BE AS PER IS:3965-1981 UNLESS OTHERWISE SPECIFIED		CHECKED		
		APPROVED		
PARTY'S NAME		SCALE		1:1
		AREA mm ²		346.078
PARTY'S DRAWING No.		PERIMETER mm.		149.499
		WEIGHT kg/m		0.934
ALLOY & TEMPER		DRAWING No.	SECTION No.	
		3633	3633	
DESCRIPTION		16906	16906	
EQUAL ANGLE – ROUND FILLET TOES				