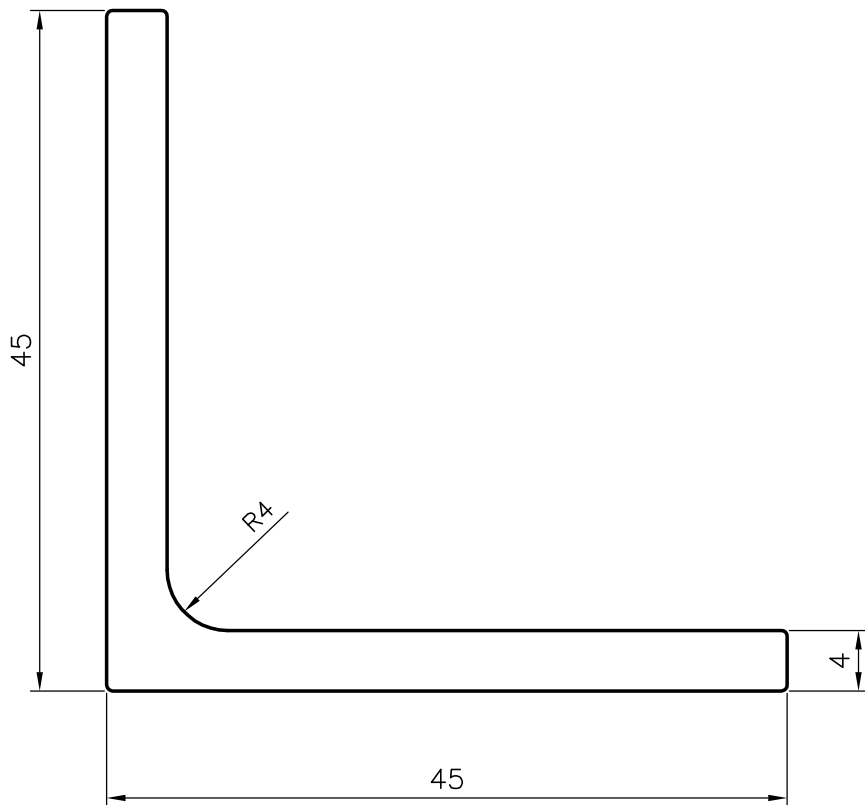
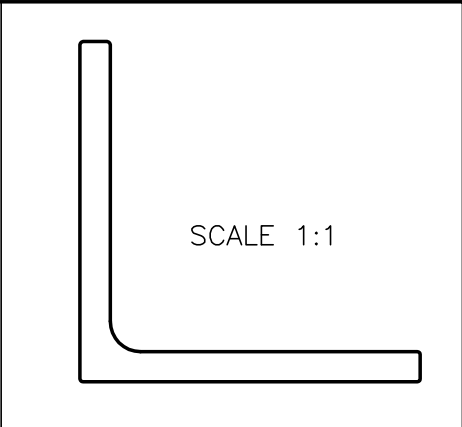



P-3775
S865
36513
16911



STRAIGHTNESS OVER 5 METRE LENGTH IS IMPORTANT

 SYMBOL OF QUALITY AN ISO 9002 COMPANY	<b>JINDAL ALUMINIUM LTD.</b> BANGALORE-560073 (INDIA)		NAME	DATE
		DRAWN	RAGHAVENDRA	09-02-02
1. ALL DIMENSIONS ARE IN mm. 2. ROUND OFF ALL SHARP CORNERS WITH 0.40 mm. 3. TOLERANCES WILL BE AS PER IS 3965-1983 UNLESS OTHERWISE SPECIFIED		CHECKED		
		APPROVED		
PARTY'S NAME LUWA INDIA PVT LTD ,. BANGALORE		SCALE	2:1 & 1:1	
		AREA mm <sup>2</sup>	347.26	
PARTY'S DRAWING No. AS PER DRAWING (13436)		PERIMETER	177.42mm	
		WEIGHT kg/m	0.937	
ALLOY & TEMPER 6351 T6		SECTION No.	16911	
DESCRIPTION EQUAL ANGLE		DRAWING No.	16911	