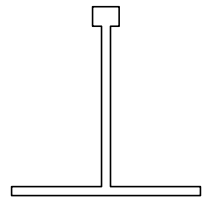
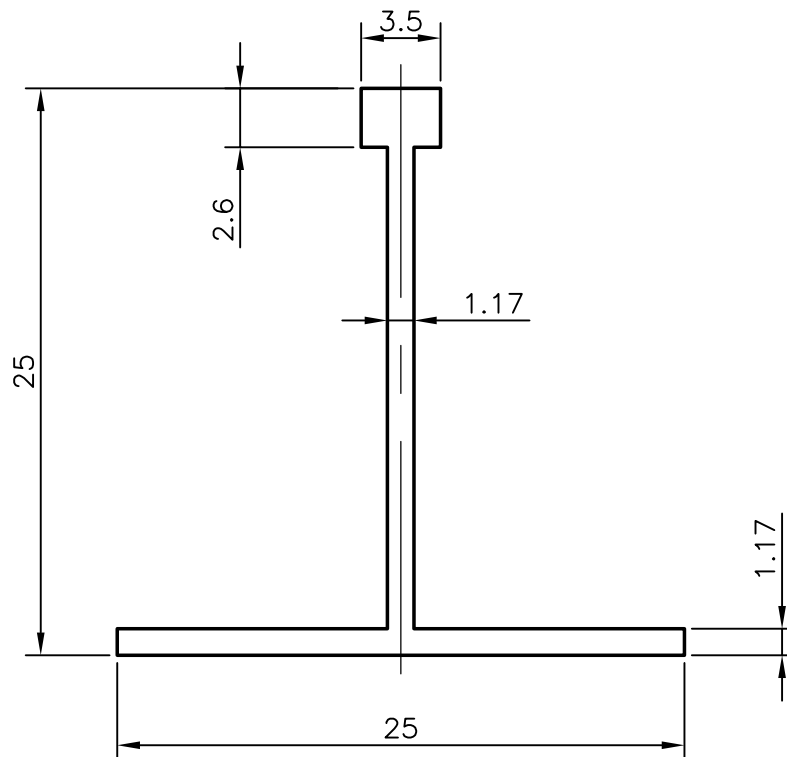


3764

17211



SCALE 1:1



3658mm LONG PIECES IN 100 kgs = 160 (AVERAGE)



SYMBOL OF QUALITY
AN ISO 9002 COMPANY

JINDAL ALUMINIUM LTD.
BANGALORE-560073 (INDIA)

	NAME	DATE
DRAWN	RAGHAVENDRA	13-12-2006
CHECKED		
APPROVED		

1. ALL DIMENSIONS ARE IN mm.
2. ROUND OFF ALL SHARP CORNERS WITH 0.50 mm.
3. TOLERANCES WILL BE AS PER IS:3965-1981 UNLESS OTHERWISE SPECIFIED

SCALE	3:1
AREA mm ²	63.189
PERIMETER mm.	104.66
WEIGHT kg/m	0.171

PARTY'S NAME	-	DRAWING No.	3764	SECTION No.	-
PARTY'S DRAWING No.	LIGHTER OF 3771		17211		17211
ALLOY & TEMPER	HE9 WP				
DESCRIPTION	BULBED TEE - STRAIGHT HEAD				