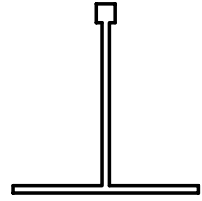
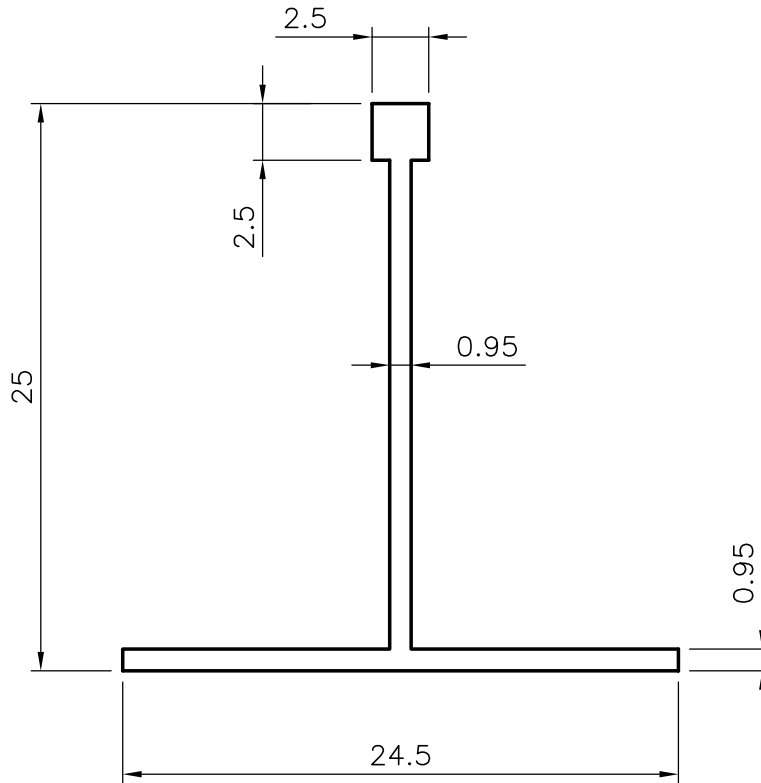


3765

17212



SCALE 1:1



3658 mm. LONG PIECES IN 100 kgs:- 200 (AVERAGE)



SYMBOL OF QUALITY
AN ISO 9002 COMPANY

JINDAL ALUMINIUM LTD.
BANGALORE-560073 (INDIA)

NAME DATE

DRAWN RAGHAVENDRA 26-11-01

CHECKED

APPROVED

SCALE 3:1 & 1:1

WEIGHT kg/m 0.136

PERIMETER 103.10mm

SECTION No. 17212

DRAWING No. 17212

1. ALL DIMENSIONS ARE IN mm.
2. ROUND OFF ALL SHARP CORNERS WITH 0.40 mm.
3. TOLERANCES WILL BE AS PER I.S 3965-1981 UNLESS OTHERWISE SPECIFIED

PARTY'S NAME

-

PARTY'S DRAWING No.

HEAVIER OF 17217

ALLOY & TEMPER

HE9 WP

DESCRIPTION

BULBED TEE- STRAIGHT HEAD