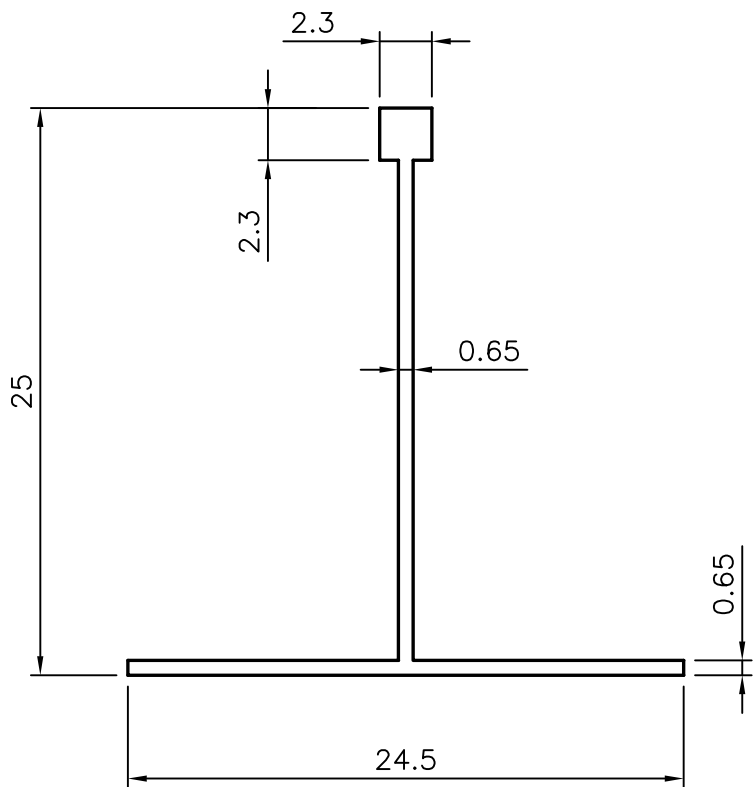
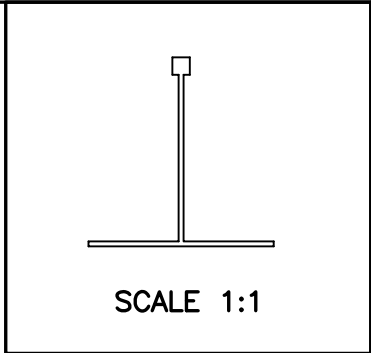



3766  
17213



3658 mm. LONG PIECES IN 100 kgs:- 280 (AVERAGE)

 SYMBOL OF QUALITY AN ISO 9002 COMPANY	<b>JINDAL ALUMINIUM LTD.</b> BANGALORE-560073 (INDIA)		NAME	DATE
		DRAWN	RAGHAVENDRA	26-11-01
1. ALL DIMENSIONS ARE IN mm. 2. ROUND OFF ALL SHARP CORNERS WITH 0.40 mm. 3. TOLERANCES WILL BE AS PER I.S 3965-1981 UNLESS OTHERWISE SPECIFIED		CHECKED		
		APPROVED		
		SCALE	3:1 & 1:1	
PARTY'S NAME	-	WEIGHT kg/m	0.097	
PARTY'S DRAWING No.	LIGHTER OF 17217	PERIMETER	103.30mm	
ALLOY & TEMPER	HE9 WP	SECTION No.	17213	
DESCRIPTION	BULBED TEE- STRAIGHT HEAD	DRAWING No.	17213	