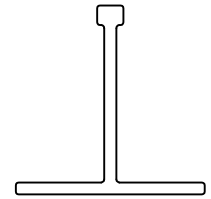
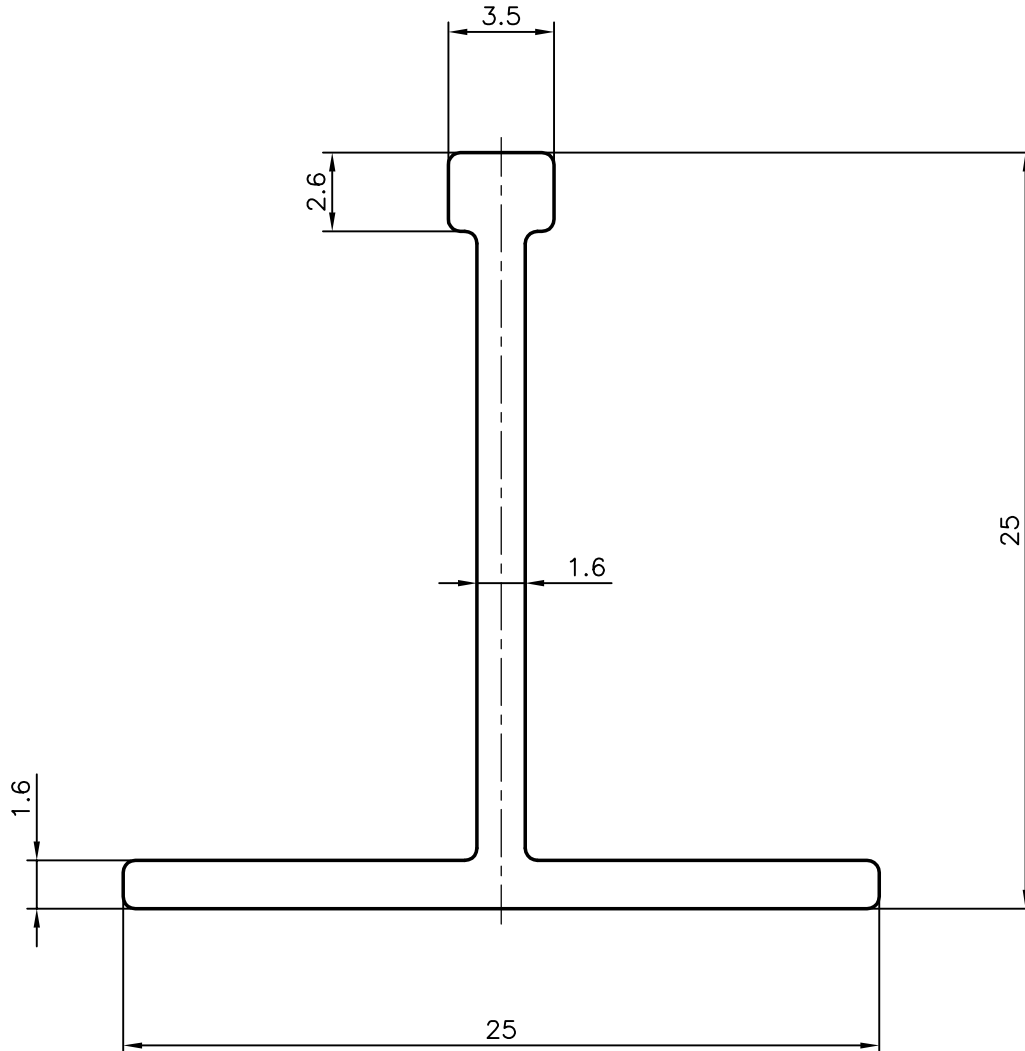


3771

17216



SCALE 1:1



SYMBOL OF QUALITY  
AN ISO 9001 COMPANY

**JINDAL ALUMINIUM LTD.**  
**BANGALORE-560073 (INDIA)**

	NAME	DATE
DRAWN	PRASHANT	11-11-2006
CHECKED		
APPROVED		
SCALE		4:1
AREA mm <sup>2</sup>		82.243
PERIMETER mm.		101.74
WEIGHT kg/m		0.219
DRAWING No.	SECTION No.	
3771	3771	
17216	17216	

1. ALL DIMENSIONS ARE IN mm.
2. ROUND OFF ALL SHARP CORNERS WITH 0.40 mm.
3. TOLERANCES WILL BE AS PER IS:3965-1981 UNLESS OTHERWISE SPECIFIED

PARTY'S NAME

-

PARTY'S DRAWING No.

-

ALLOY &amp; TEMPER

HE9 WP

DESCRIPTION

TEE WITH BULB