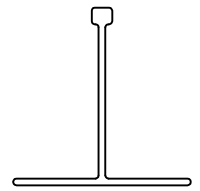
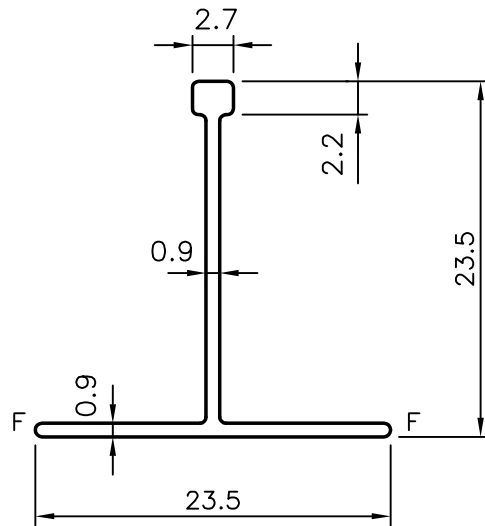


P-5383-1

17219



1:1



AVERAGE WEIGHT:- 0.446 kg/3658 mm.

F = FULL RADIUS (2 PLACES)



SYMBOL OF QUALITY  
AN ISO 9001 COMPANY

**JINDAL ALUMINIUM LTD.**  
BANGALORE-560073 (INDIA)

	NAME	DATE
DRAWN	MALINGAPPA	09-05-2005
CHECKED		
APPROVED		

1. ALL DIMENSIONS ARE IN mm.
2. ROUND OFF ALL SHARP CORNERS WITH 0.40 mm.
3. TOLERANCES WILL BE AS PER IS:3965-1981 UNLESS OTHERWISE SPECIFIED

SCALE	2:1
AREA mm <sup>2</sup>	45.276
PERIMETER mm.	95.454
WEIGHT kg/m	0.122

PARTY'S NAME	GENERAL CATEGORY, COCHIN MARKET
PARTY'S DRAWING No.	AS PER DRAWING/WEIGHT
ALLOY & TEMPER	HE9 WP
DESCRIPTION	BULBED TEE - STRAIGHT HEAD

DRAWING No.	SECTION No.
P-5383-1	-
17219	17219