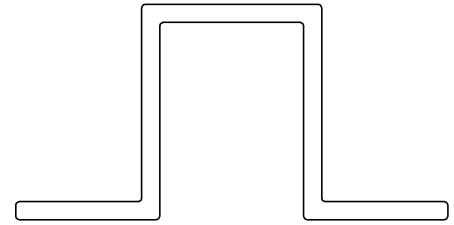
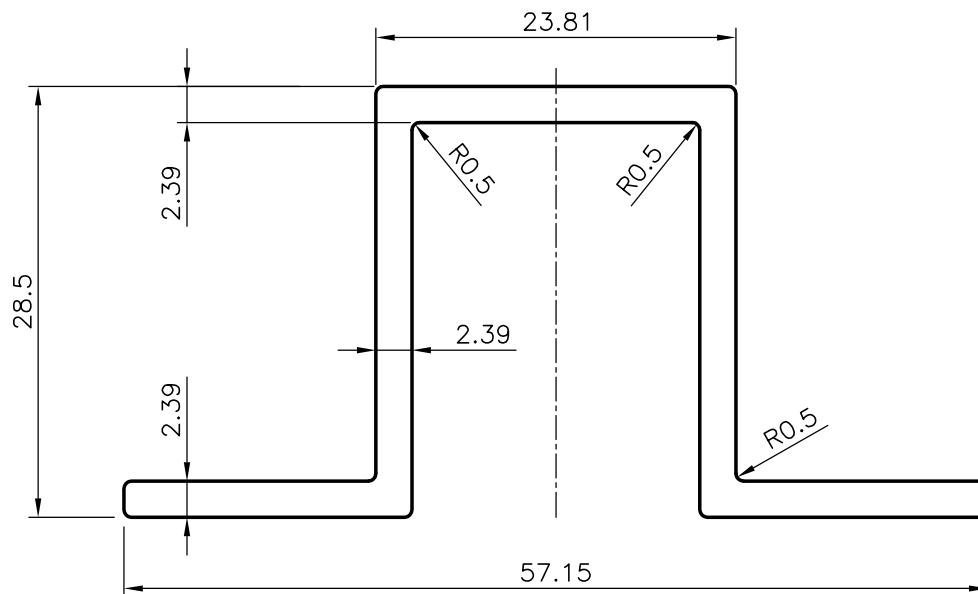


3827

17452



SCALE 1:1



SYMBOL OF QUALITY
AN ISO 9001 COMPANY

JINDAL ALUMINIUM LTD.
BANGALORE-560073 (INDIA)

	NAME	DATE
DRAWN	RAGHAVENDRA	16-03-2005
CHECKED		
APPROVED		

1. ALL DIMENSIONS ARE IN mm.
2. ROUND OFF ALL SHARP CORNERS WITH 0.40 mm.
3. TOLERANCES WILL BE AS PER IS:3965-1981 UNLESS OTHERWISE SPECIFIED

SCALE	2:1
AREA mm ²	261.18
PERIMETER mm.	220.945
WEIGHT kg/m	0.706

PARTY'S NAME

-

PARTY'S DRAWING No.

-

ALLOY & TEMPER

HE9 WP

DESCRIPTION

TOP HAT

DRAWING No.

3827

17452

SECTION No.

3827

17452