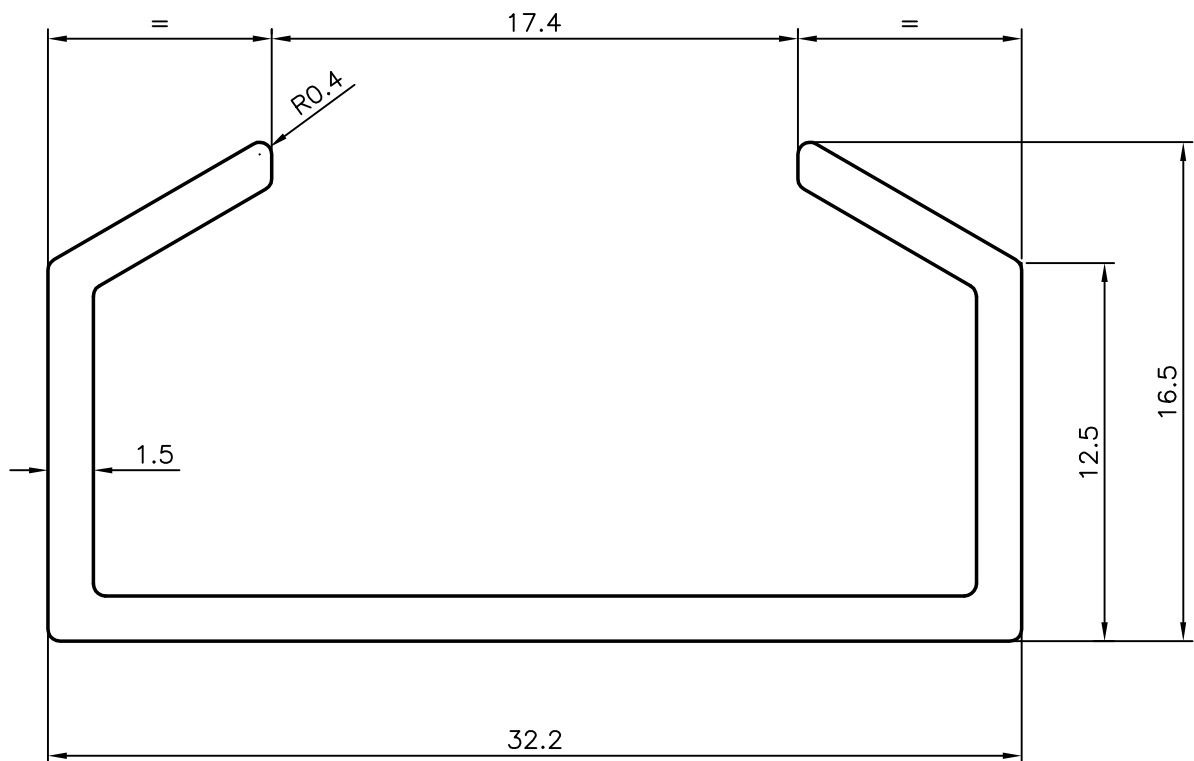
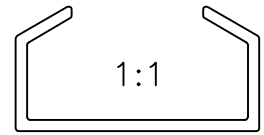


3870

17515



GENERAL WALL THICKNESS = 1.5 mm



SYMBOL OF QUALITY
AN ISO 9001 COMPANY

JINDAL ALUMINIUM LTD.
BANGALORE-560073 (INDIA)

	NAME	DATE
DRAWN	MALINGAPPA	30-09-2005
CHECKED		
APPROVED		

1. ALL DIMENSIONS ARE IN mm.
2. ROUND OFF ALL SHARP CORNERS WITH 0.50 mm.
3. TOLERANCES WILL BE AS PER IS:3965-1981 UNLESS OTHERWISE SPECIFIED

SCALE	4:1
AREA mm ²	102.833
PERIMETER mm.	138.852
WEIGHT kg/m	0.283

PARTY'S NAME	-	DRAWING No.	3870	SECTION No.	3870
PARTY'S DRAWING No.	-		17515		17515
ALLOY & TEMPER	HE9 WP				
DESCRIPTION	MISC. CHANNEL				