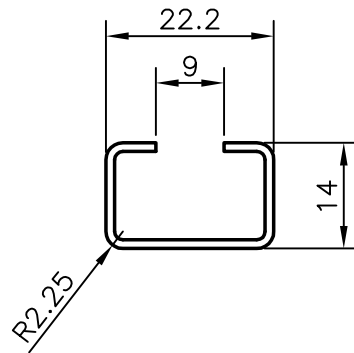


3875
17517



GENERAL WALL THICKNESS:- 1.15 mm.
WEIGHT/3658 mm.:- 0.625 kgs/0.660 kgs

JINDAL ALUMINIUM LTD. BANGALORE-560073			NAME	DATE
		DRAWN	R.D.Sharma	12-06-97
1. ALL DIMENSIONS ARE IN mm. 2. ROUND OFF ALL SHARP CORNERS WITH 0.4 mm. 3. TOLERANCES WILL BE AS PER IS: 3965-1981 ,UNLESS OTHERWISE SPECIFIED		CHECKED		
		APPROVED		
PARTY'S NAME	GENERAL CATEGORY	SCALE	1:1	
PARTY'S DRAWING No.	-	WEIGHT kg/m	0.175	
ALLOY & TEMPER	HE9 WP	SECTION No.	17517	
LENGTH	3658 mm.	DRAWING No.		
DESCRIPTION	'G' CHANNEL	17517		