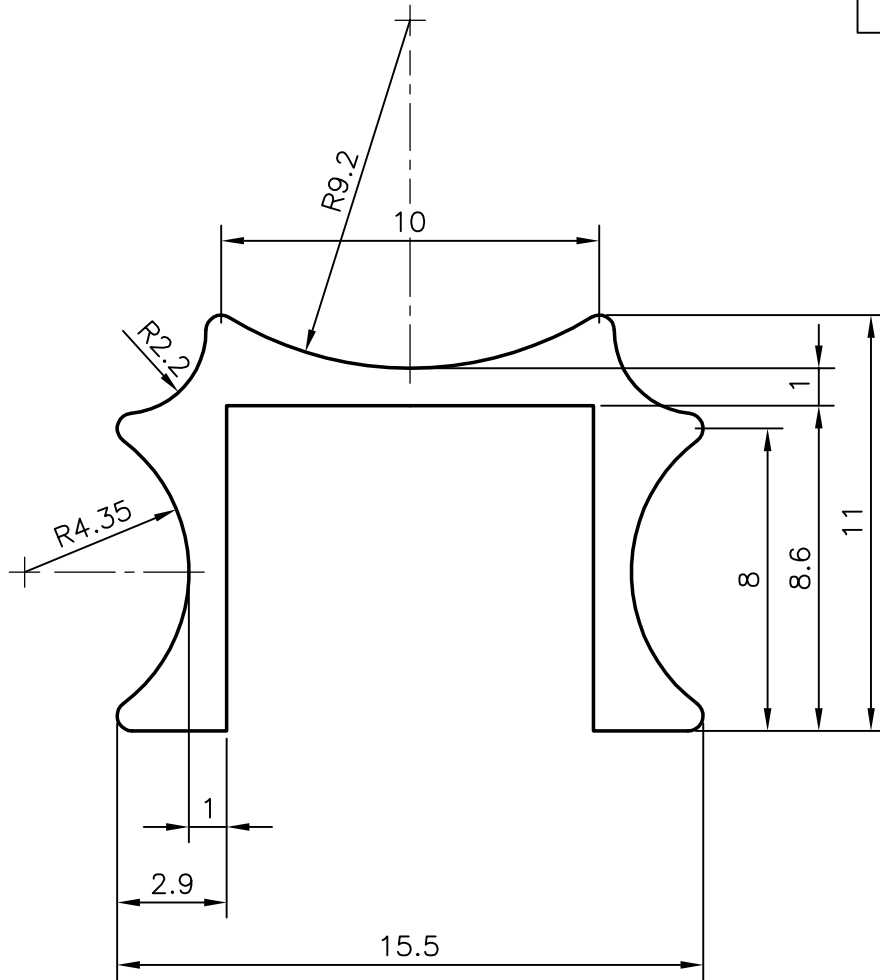


3923
17542



1:1



NO. OF PIECES IN 100 kgs. :- 210 (AVERAGE)
UNSPECIFIED RADII :- 0.40 mm.

JINDAL ALUMINIUM LTD.
BANGALORE-560073

	NAME	DATE
DRAWN	R.D.Sharma	24-03-98
CHECKED		
APPROVED		
SCALE	5:1	
WEIGHT kg/m	0.130	
SECTION No.	17542	
DRAWING No.	17542	

1. ALL DIMENSIONS ARE IN mm.
2. ROUND OFF ALL SHARP CORNERS WITH 0.4 mm.
3. TOLERANCES WILL BE AS PER IS: 3965-1981 ,UNLESS OTHERWISE SPECIFIED

PARTY'S NAME	GENERAL CATEGORY
PARTY'S DRAWING No.	NIL
ALLOY & TEMPER	HE9 WP
LENGTH	3658 mm.
DESCRIPTION	P.S. CHANNEL