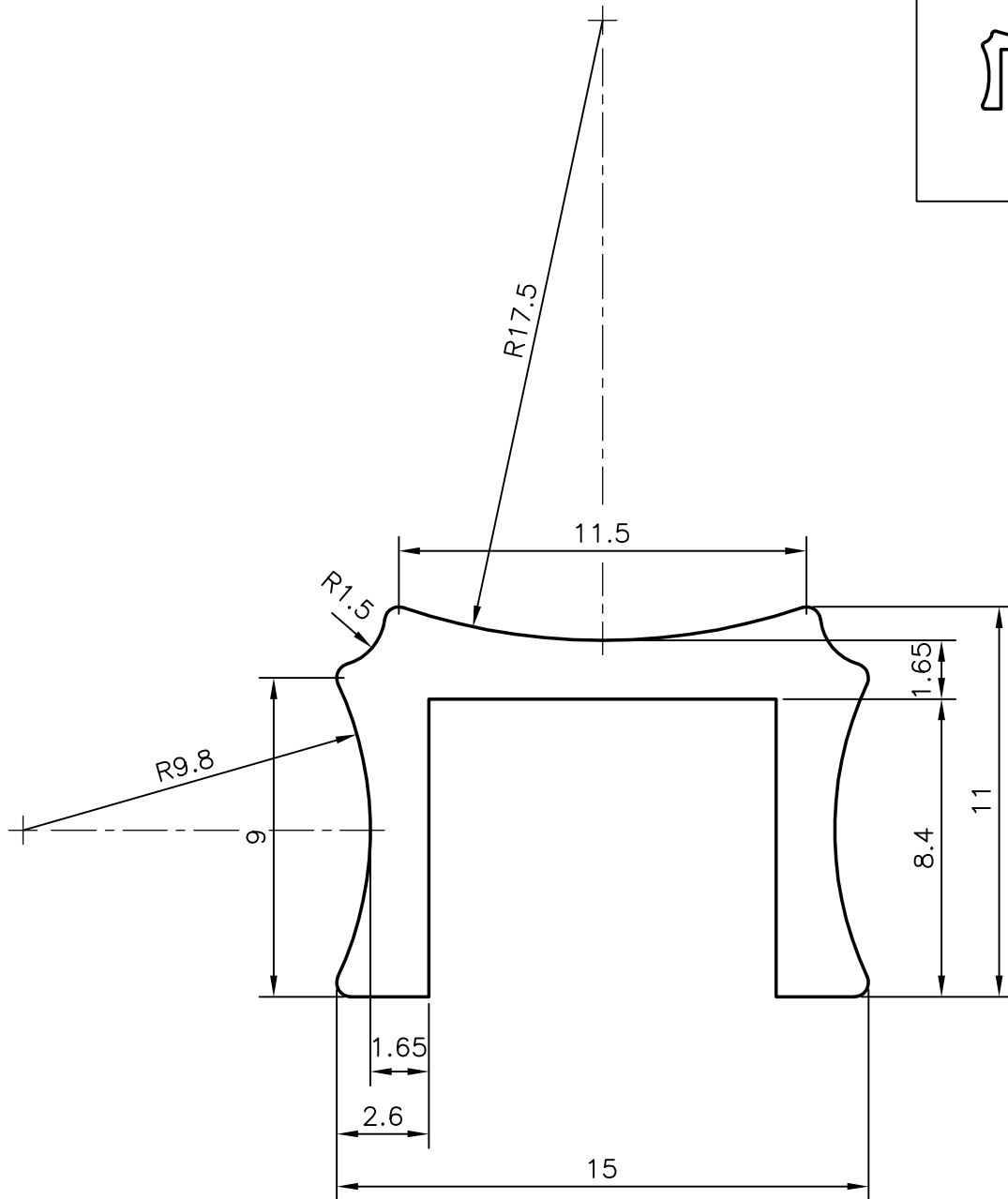


3924  
17543



1:1



NO. OF PIECES IN 100 kgs. :- 166 (AVERAGE)  
UNSPECIFIED RADII :- 0.40 mm.

**JINDAL ALUMINIUM LTD.**  
**BANGALORE-560073**

	NAME	DATE
DRAWN	R.D.Sharma	25-03-98
CHECKED		
APPROVED		
SCALE	5:1	
WEIGHT kg/m	0.165	
SECTION No.	17543	
DRAWING No.	17543	

1. ALL DIMENSIONS ARE IN mm.
2. ROUND OFF ALL SHARP CORNERS WITH 0.4 mm.
3. TOLERANCES WILL BE AS PER IS: 3965-1981 ,UNLESS OTHERWISE SPECIFIED

PARTY'S NAME	GENERAL CATEGORY
PARTY'S DRAWING No.	NIL
ALLOY & TEMPER	HE9 WP
LENGTH	3658 mm.
DESCRIPTION	P.S. CHANNEL